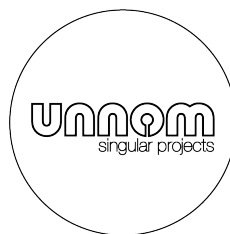


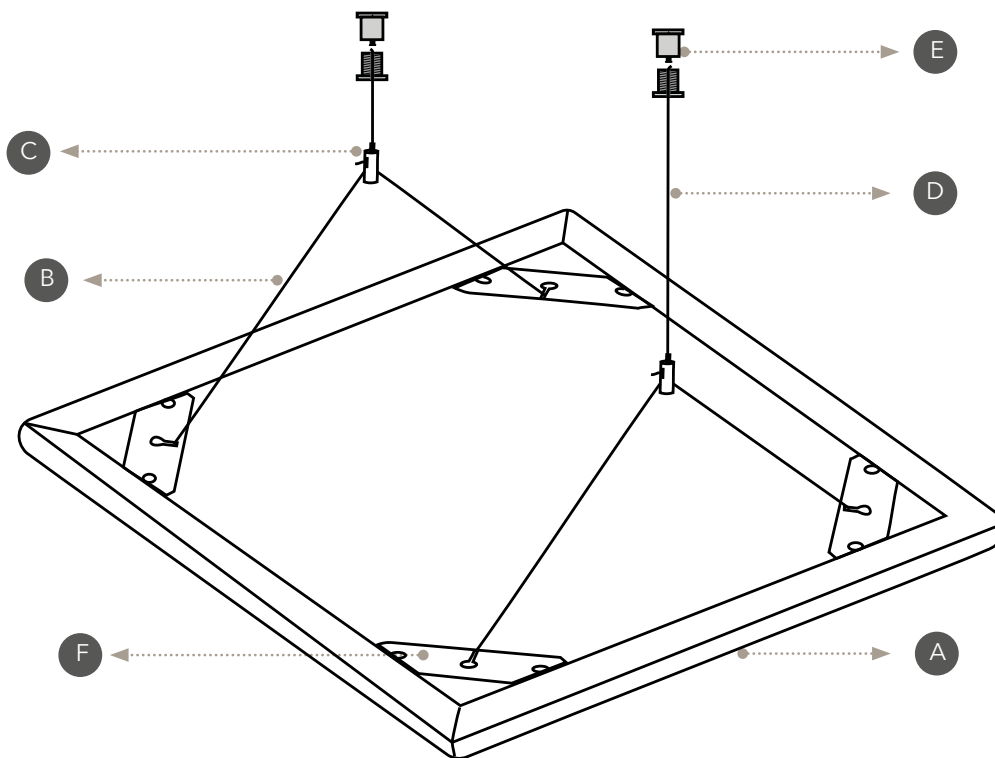
TECHNICAL SHEET

# Addenda Suspension



# ADDENDA SUSPENSION

## GENERAL DESCRIPTION



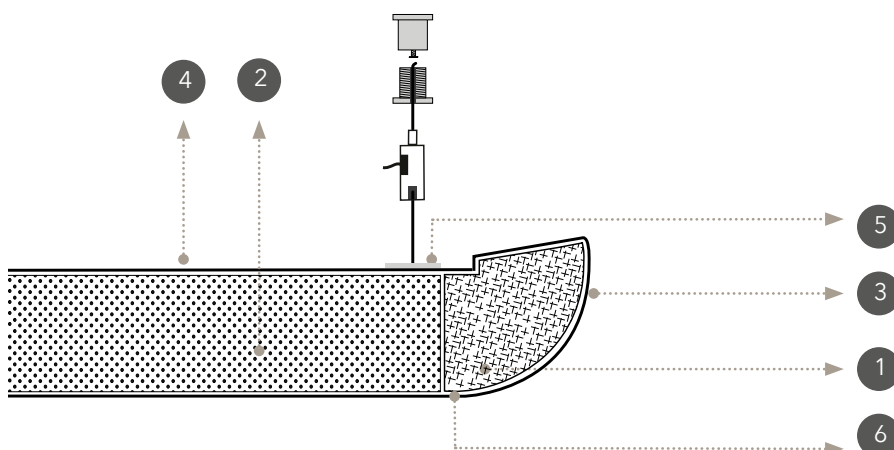
- (A) **37 mm or 64 mm thick panel**
- (B) **Ø 1 mm cable** in galvanized steel, fitted with 2 weighted ends
- (C) **Adjustable holder** in galvanized steel
- (D) **Ø 1 mm vertical cable** in galvanized steel
- (E) **Ceiling attachment kit**, drill hole Ø 8 mm <sup>(1)</sup>  
Twist clips for ceiling rails on request.
- (F) **Bracket** in galvanized steel screwed at the 4 corners

(1) Check if the supporting structure (wall, ceiling ...) is strong enough to carry the ADDENDA panels according to their weight (see the product sheet). Ensure that you are using the adequate screws and bolts according to material of the carrying structure. Manufacturer would not be liable in case of poor resistance of the supporting structure, misuse or wrong assembling (see mounting instructions) .

# ADDENDA SUSPENSION

37 MM THICK PANEL

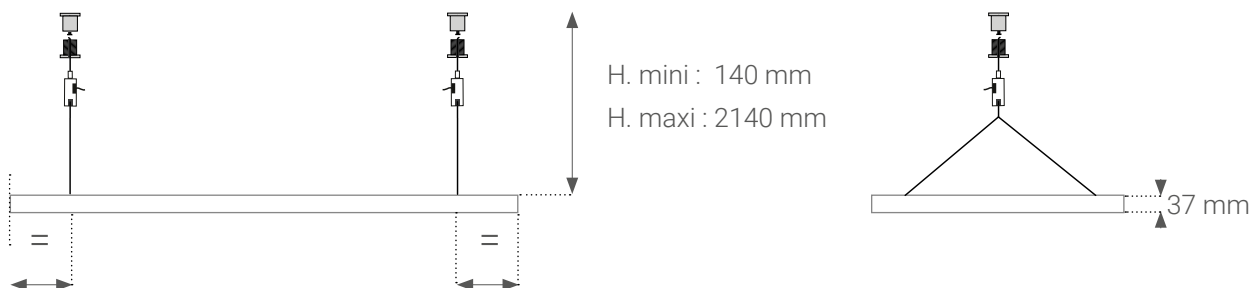
## Composition



- ① **MDF frame** section 34,5 mm x 34.5 mm, fire class M4.
- ② **Sound absorbing melamine foam** 28 mm thick, fire class M1
- ③ **Fabrics:** see our material data sheets.
- ④ **Non Woven polypropylene** 230 g / m<sup>2</sup>
- ⑤ **Bracket in galvanized steel** supporting the cable
- ⑥ **Fire blocker textile fitted on AD F 1 SUH references only.**  
Not available on standard references (AD 1 SUH)

## Fixing elements

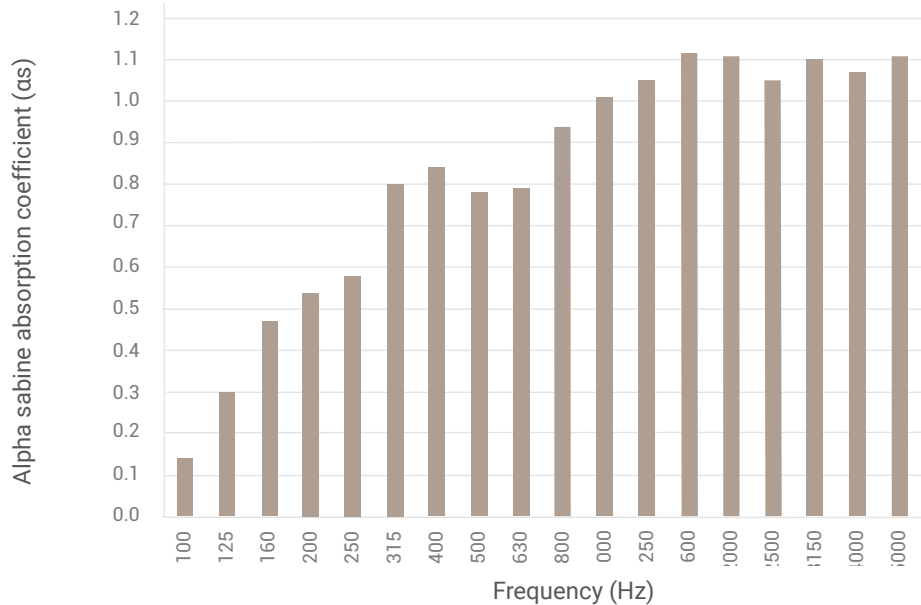
Cables and ceiling attachments are supplied with the panel.



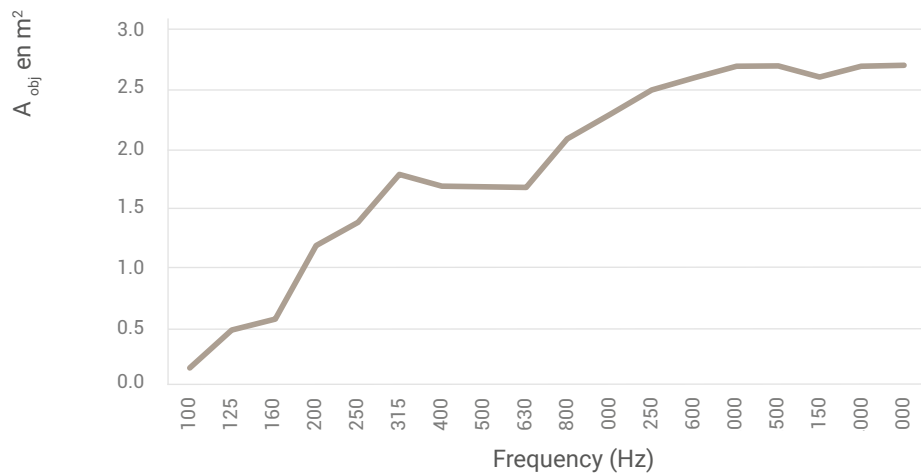
# ADDENDA SUSPENSION

## Acoustic properties

Weighted sound absorption coefficient  $a_w = 0.85$ . Acoustic class according to EN ISO 11654 : B



Results issued from the FCBA test report n° 404/18/123/1 dated 11/07/2018 (NF EN ISO 354 & NF EN ISO 11654) Cluster, 300 mm from the ceiling



Results issued from the FCBA test report n° 404/16/31/2 dated 08/06/2016 (NF EN ISO 354 & NF EN ISO 11654) For one Addenda panel 1800 x 1000 x 37 mm, 300 mm from the ceiling. Spacing 1500 mm.

## Reaction to fire

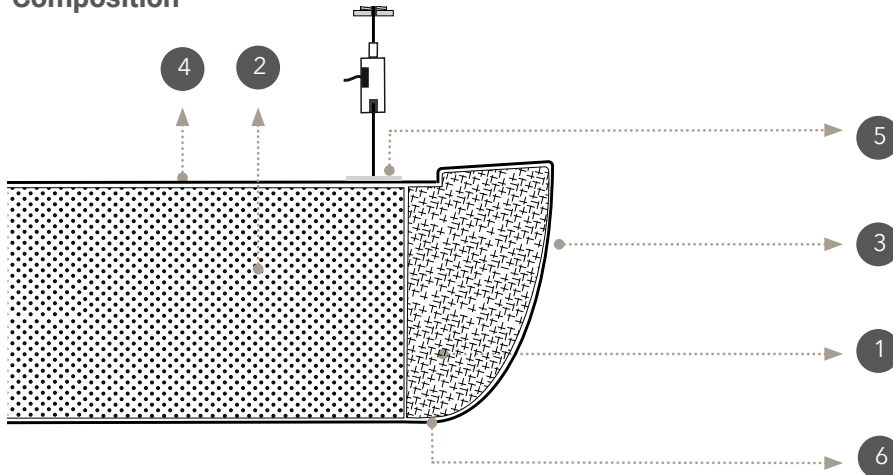
Manade has developed a series of fire resistant sound absorbing wall panels (EN 13501-1 : 2007+A1 : 2009) available in a selection of fabrics, see chart below. Test reports on request.

Reference	Thickness	Fabric	Fire Class
AD 1 F SUH	37 mm	Atlantic	<b>B S2 D0</b>

# ADDENDA SUSPENSION

64 MM THICK PANEL

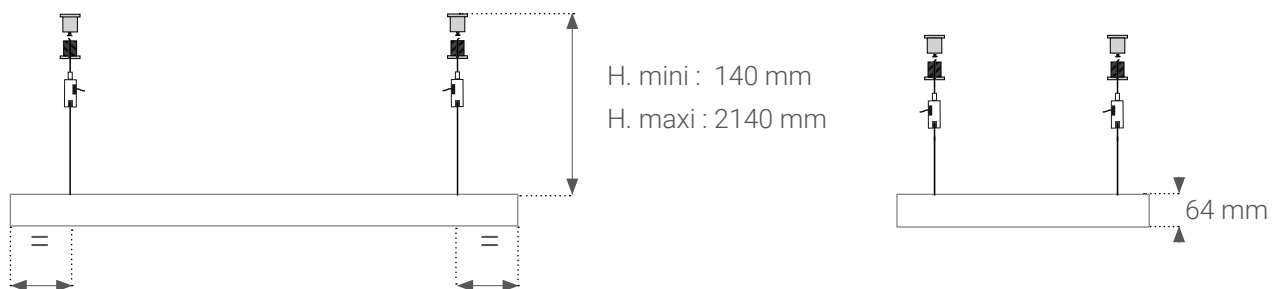
## Composition



- ① **MDF frame** section 34,5 mm x 34.5 mm, fire class M4.
- ② **Sound absorbing melamine foam** 56 mm thick, fire class M1
- ③ **Fabrics:** see our material data sheets.
- ④ **Non Woven polypropylene** 230 g / m<sup>2</sup>
- ⑤ **Bracket in galvanized steel.**
- ⑥ **Fire blocker textile fitted on AD F 1 SUH references only.**  
Not available on standard references (AD 1 SUH)

## Fixing elements

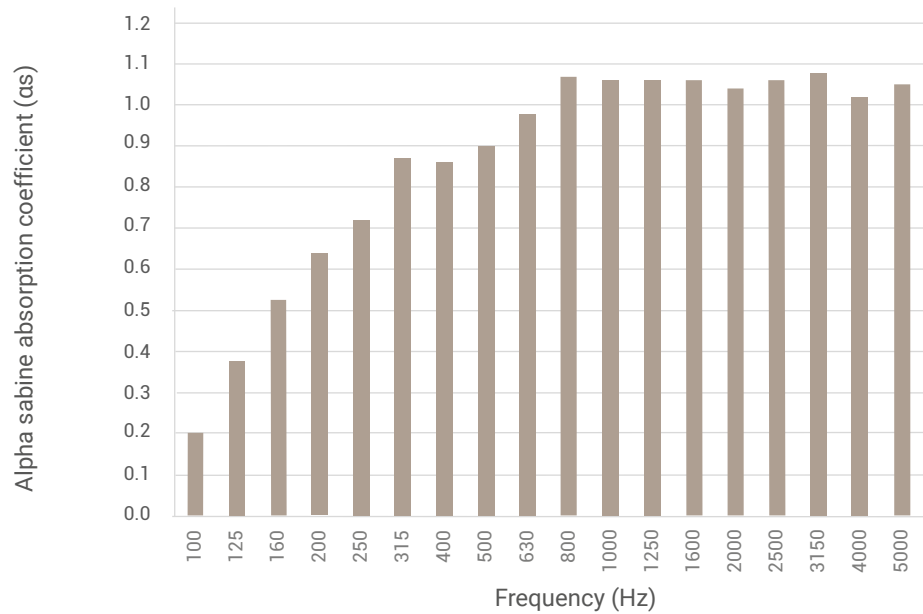
Cables and ceiling attachments are supplied with the panel.



# ADDENDA SUSPENSION

## Acoustic properties

Weighted sound absorption coefficient  $a_w = 0.95$ . Acoustic class according to EN ISO 11654 : A



Results issued from the FCBA test report n° 404/18/123/1 dated 11/07/2018 (NF EN ISO 354 & NF EN ISO 11654)  
Cluster, 300 mm from the ceiling

# ADDENDA SUSPENSION

## WARNING AND LIMIT OF LIABILITY

Check if the supporting structure (wall, ceiling ...) is strong enough to carry the ADDENDA panels according to their weight (see the product sheet). Ensure that you are using the appropriate screws and bolts according to the material of the carrying structure.

Manade would not be liable in case of poor resistance of the supporting structure, misuse or wrong assembling (see mounting instructions).