



TECHNICAL SPECIFICATION SHEET

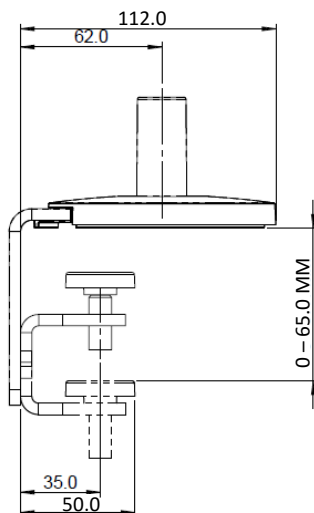
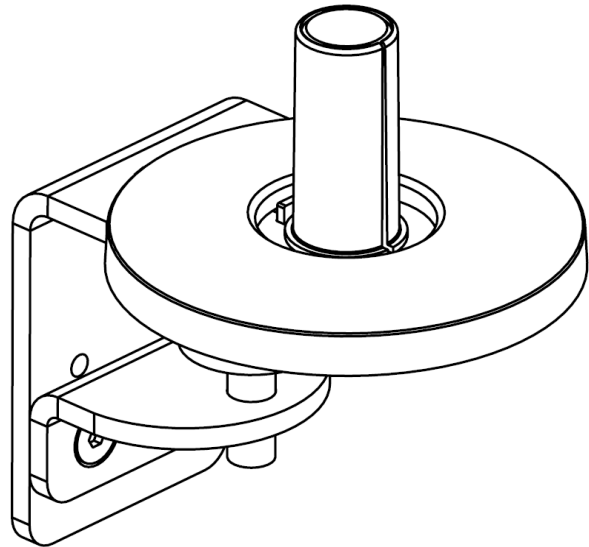
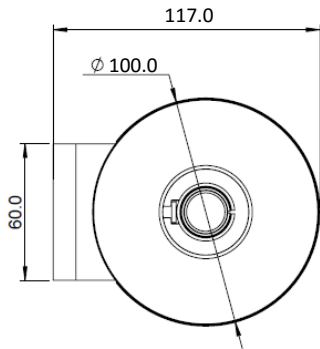
PRODUCT NAME: Flo Split Clamp

PRODUCT CODE: DYN/013/AS09

Doc Rev 3.

Product Rev: #C

19.07.2016. CF



*Note dimensions provided are measured in mm

KEY FEATURES

- Soft Pads protects work surface from damage
- Configurable 180° stop system
- Clamp pad ensures secure grip without damaging underside of work surface
- Suitable for desk thickness from 0-65mm

Product Classification	Brackets, Clamps and Fixings
Max load	9kg (19.8lb)
Recycled content	13.11%
Total product recyclable	100%

LOGISTICAL

Box contains	Clamp, clamp screws, clamp pad
Bag dims (HxWxD)	160 x 140 x 90 mm (packed in poly bag)
Bag gross weight	0.8kg
Carton quantity	18
Master dims (HxWxD)	505 x 290 x 220 mm
Master weight	14.9 kg
Country of origin	China
Country of configuration	UK

ORDERING INFORMATION

<u>Product Description</u>	<u>Product code</u>	<u>Colour</u>
Flo Split Clamp	DYN/013/AS09	:/S Silver or :/W White

WARRANTY

Warranty Term	Limited lifetime
---------------	------------------

COMPLIANCE & SAFETY CERTIFICATION

Whilst no mandatory standards apply to the monitor arm product sector, all Colebrook Bosson Saunders monitor arms have been designed with appropriate articulation features, dimensional range and adjustability to conform to the requirements of BS EN ISO 9241:5 1999 Ergonomic requirements for office work with visual display terminals (VDTs).

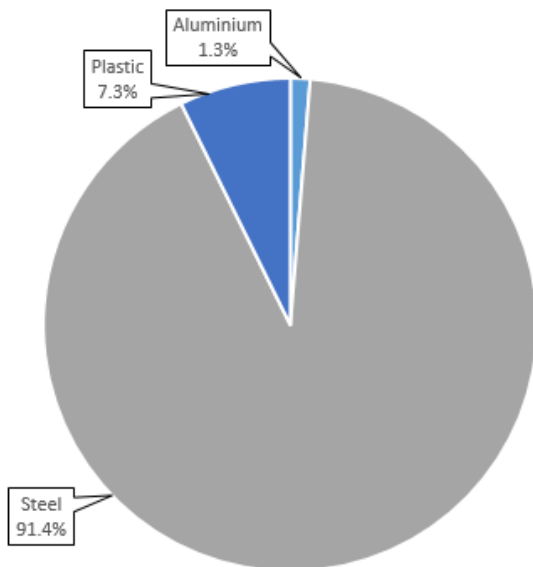
Conformance certification	N/A
Test authority	CBS
Safety certification	N/A

ENVIRONMENTAL

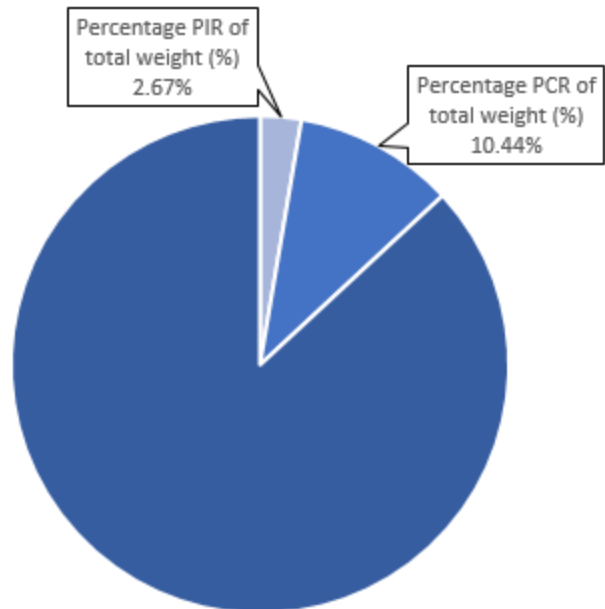
Material Make-up			Total Recycled Content	Breakdown of Recycled Content		Total Recyclable	
Overall Product			Overall Product			Overall Product	
Material type	Total Material type weight (g)	Percentage of Total Product Weight (%)	Material-Type Recycled Content (%)	Percentage PIR of total weight (%)	Percentage PCR of total weight (%)	Total Product Recyclable (g)	Total Product Recyclable (%)
Aluminium	10.2	1.29%	1.22%	0.65%	0.57%	10	1.29%
Steel	725.3	91.43%	11.89%	2.02%	9.87%	725	91.43%
Plastic	57.8	7.29%	0.00%	0.00%	0.00%	58	7.29%
Total	793.3	100.00%	13.11%	2.67%	10.44%	793	100.00%

PIR = Post Industrial Recycled
PCR = Post Consumer Recycled

Total Product Weight (%)



Total Product Recycled Content (%)



CLEANING, STORAGE & MAINTENANCE

Routine servicing

Periodic inspection

Service components

Available to order

Cleaning & Maintenance

Damp cloth, no abrasives, no solvents to be used on the cosmetic surfaces

Handling & Storage

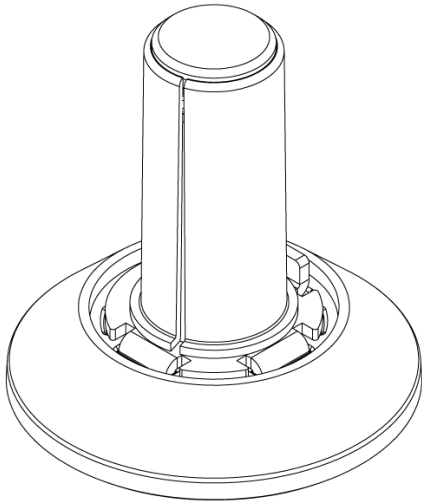
Do not drop or expose to moisture

While every effort is made to ensure the accuracy of our technical information, Colebrook Bosson Saunders (Products) Ltd accept no liability for the accuracy of the information contained in this document and reserve the right to modify the specifications or data contained herein without prior notification.



TECHNICAL SPECIFICATION SHEET

PRODUCT NAME: Flo Through Desk Fixing Kit
PRODUCT CODE: DYN/013/AS12
Doc Rev 1. 07.05.21 CS



*Note that through desk fixing (WSH/100S12/K or WSH/50S12/K) needs to be ordered separately if required

KEY FEATURES

- Configurable 180° stop system
- Compatible with Flo & Ollin
- Product comes with 3 coloured clamp covers: light grey, dark grey & black
- Easy Installation

Max load	9kg (19.8lbs)
Total product recyclable	98.8%
Recycled content	25.5%
Product packaging	100% plastic free

LOGISTICAL

Box contains	Flo Through Desk Fixing Kit incl. Rotational Stop
Product net weight	0.15kg
Box dims (HxWxD)	80 x 100 x 82mm
Box gross weight	0.22kg
Master carton quantity	27
Master carton dims (HxWxD)	335 x 275 x 285mm
Master weight	196kg
Pallet quantity	729
Pallet dims (HxWxD)	1030 x 880 x 1030mm
Country of origin	China

ORDERING INFORMATION

<u>Product Description</u>	<u>Product Code</u>	<u>Colour</u>
Flo Through Desk Fixing Kit incl. Rotational Stop	DYN/013/AS12	N/A

WARRANTY

Warranty Term	12 years
---------------	----------

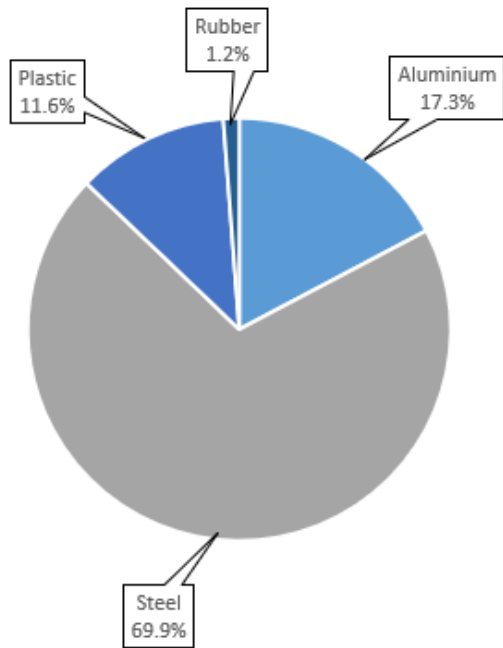
ENVIRONMENTAL

Material Make-up			Total Recycled Content	Breakdown of Recycled Content		Total Recyclable	
Overall Product			Overall Product	Overall Product		Overall Product	
Material type	Total Material type weight (g)	Percentage of Total Product Weight (%)	Material-Type Recycled Content (%)	Percentage PIR of total weight (%)	Percentage PCR of total weight (%)	Total Product Recyclable (g)	Total Product Recyclable (%)
Aluminium	32.8	17.3%	16.4%	8.7%	7.7%	32.8	17.3%
Steel	132.7	69.9%	9.1%	1.5%	7.5%	132.7	69.9%
Plastic	22.1	11.6%	0.0%	0.0%	0.0%	22.1	11.6%
Rubber	2.3	1.2%	0.0%	0.0%	0.0%	0.0	0.0%
Total	189.9	100.0%	25.5%	10.2%	15.3%	187.6	98.8%

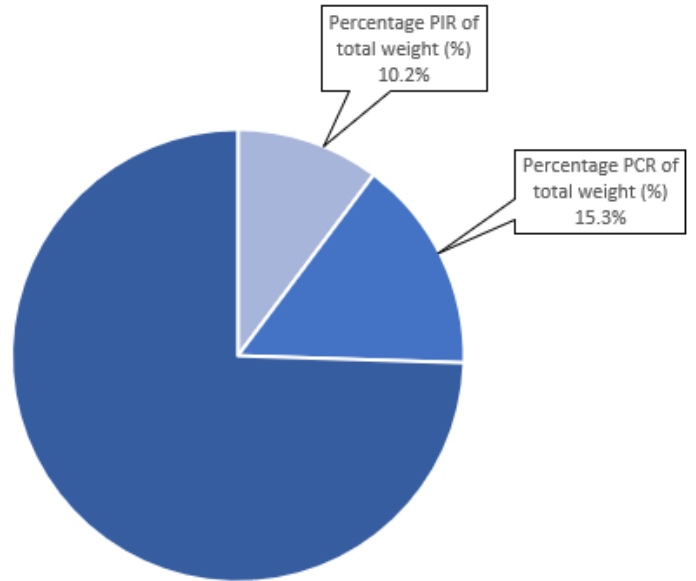
Due to calculation rounding there may be some small variations in displayed percentage totals.

PIR = Post Industrial Recycled
PCR = Post Consumer Recycled

Total Product Weight (%)



Total Product Recycled Content (%)



CLEANING, STORAGE & MAINTENANCE

Routine servicing	Periodic inspection
Service components	Available to order
Cleaning & Maintenance	Damp cloth, no abrasives, no solvents to be used on the cosmetic surfaces
Handling & Storage	Do not drop or expose to moisture

While every effort is made to ensure the accuracy of our technical information, Colebrook Bosson Saunders (Products) Ltd accept no liability for the accuracy of the information contained in this document and reserve the right to modify the specifications or data contained herein without prior notification.



TECHNICAL SPECIFICATION SHEET

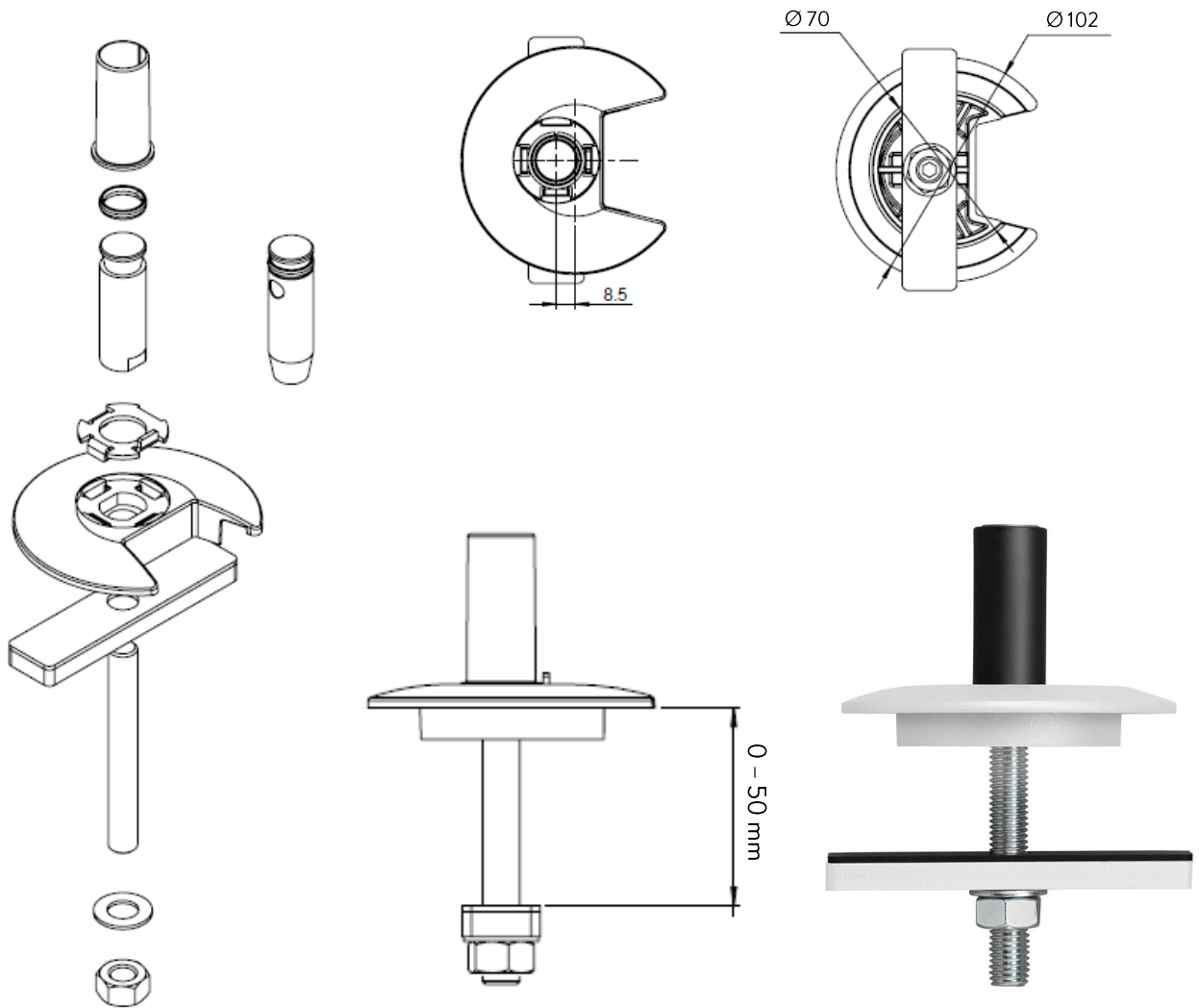
PRODUCT NAME: Flo Grommet Mount

PRODUCT CODE: DYN/013/CSG100

Doc Rev 3

Product Rev: #A

23.02.2018 CF



*Note that dimensions provided are measured in mm

KEY FEATURES

- Mounts Flo arm into standard cable grommet hole
- Rounded contours will not damage cable
- Suitable for desk thickness of 0-50mm
- Suitable for standard 3" / 75mm diameter grommet hole
- Includes 90° and 180° stop function to accommodate grommet holes situated in either corner of the desk

Product Classification

Brackets, Clamps & Fixings

Max load

9 kg (19.8 lbs)

Total recycled content

25.65%

Total product recyclable

100%

LOGISTICAL

Box contains	Cast grommet, fixing stud, spigot, 180/90 degree stop, bar, washer, nut, instructions
Product net weight:	0.63kg
Box dims (HxWxD)	140 x 120 x 32 mm
Box gross weight	0.69kg
Carton quantity	24 pcs
Master dims (HxWxD)	285 x 255 x 225 mm
Master weight	17.38kg
Country of origin	China
Country of configuration	UK

ORDERING INFORMATION

<u>Product Description</u>	<u>Product code</u>	<u>Colour</u>
Flo Grommet Mount	DYN/013/CSG100	:/S Silver or :/W White

WARRANTY

Warranty Term	Limited lifetime
----------------------	------------------

COMPLIANCE & SAFETY CERTIFICATION

Whilst no mandatory standards apply to the monitor arm product sector, all Colebrook Bosson Saunders monitor arms have been designed with appropriate articulation features, dimensional range and adjustability to conform to the requirements of BS EN ISO 9241:5 1999 Ergonomic requirements for office work with visual display terminals (VDTs).

Conformance certification	N/A
Test authority	CBS
Safety certification	N/A

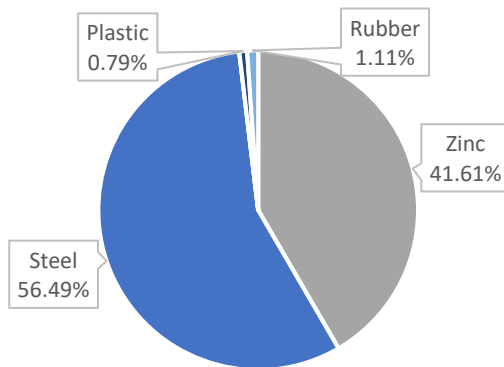
ENVIRONMENTAL

Material Make-up			Total Recycled Content	Breakdown of Recycled Content		Total Recyclable	
Overall Product			Overall Product			Overall Product	
Material type	Total Material type weight (g)	Percentage of Total Product Weight (%)	Material-Type Recycled Content (%)	Percentage PIR of total weight (%)	Percentage PCR of total weight (%)	Total Product Recyclable (g)	Total Product Recyclable (%)
Zinc	263	41.61%	18.31%	9.16%	9.16%	263	41.61%
Steel	357	56.49%	7.34%	1.25%	6.09%	357	56.49%
Plastic	5	0.79%	0.00%	0.00%	0.00%	5	0.79%
Rubber	7	1.11%	0.00%	0.00%	0.00%	7	1.11%
Total	632	100.00%	25.65%	10.40%	15.25%	632.00	100.00%

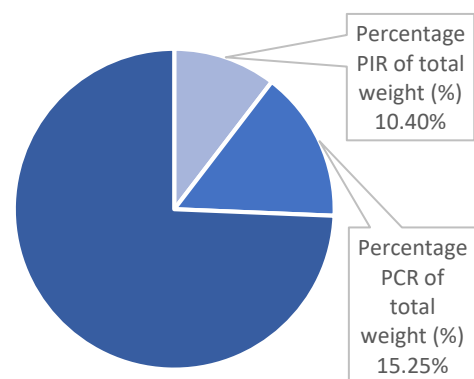
PIR = Post Industrial Recycled

PCR = Post Consumer Recycled

Total Product Weight (%)



Total Product Recycled Content (%)



CLEANING, STORAGE & MAINTENANCE

Routine servicing

Periodic inspection

Service components

Available to order

Cleaning & Maintenance

Damp cloth, no abrasives, no solvents to be used on the cosmetic surfaces

Handling & Storage

Do not drop or expose to moisture

While every effort is made to ensure the accuracy of our technical information, Colebrook Bosson Saunders (Products) Ltd accept no liability for the accuracy of the information contained in this document and reserve the right to modify the specifications or data contained herein without prior notification.