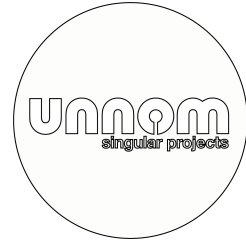
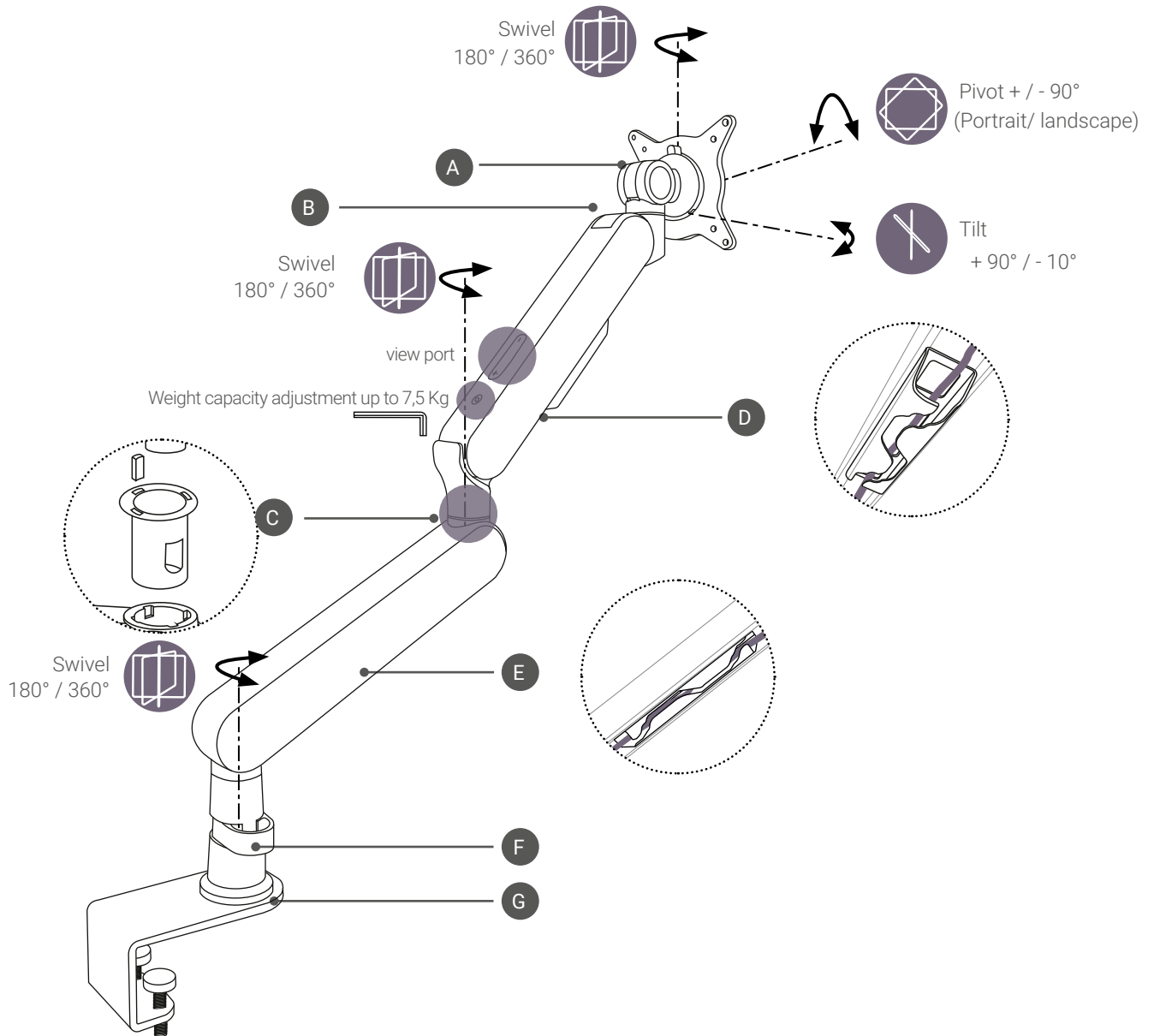


TECHNICAL SHEET

Plug & Play Duo Dynamics



PLUG & PLAY DUO Dynamics

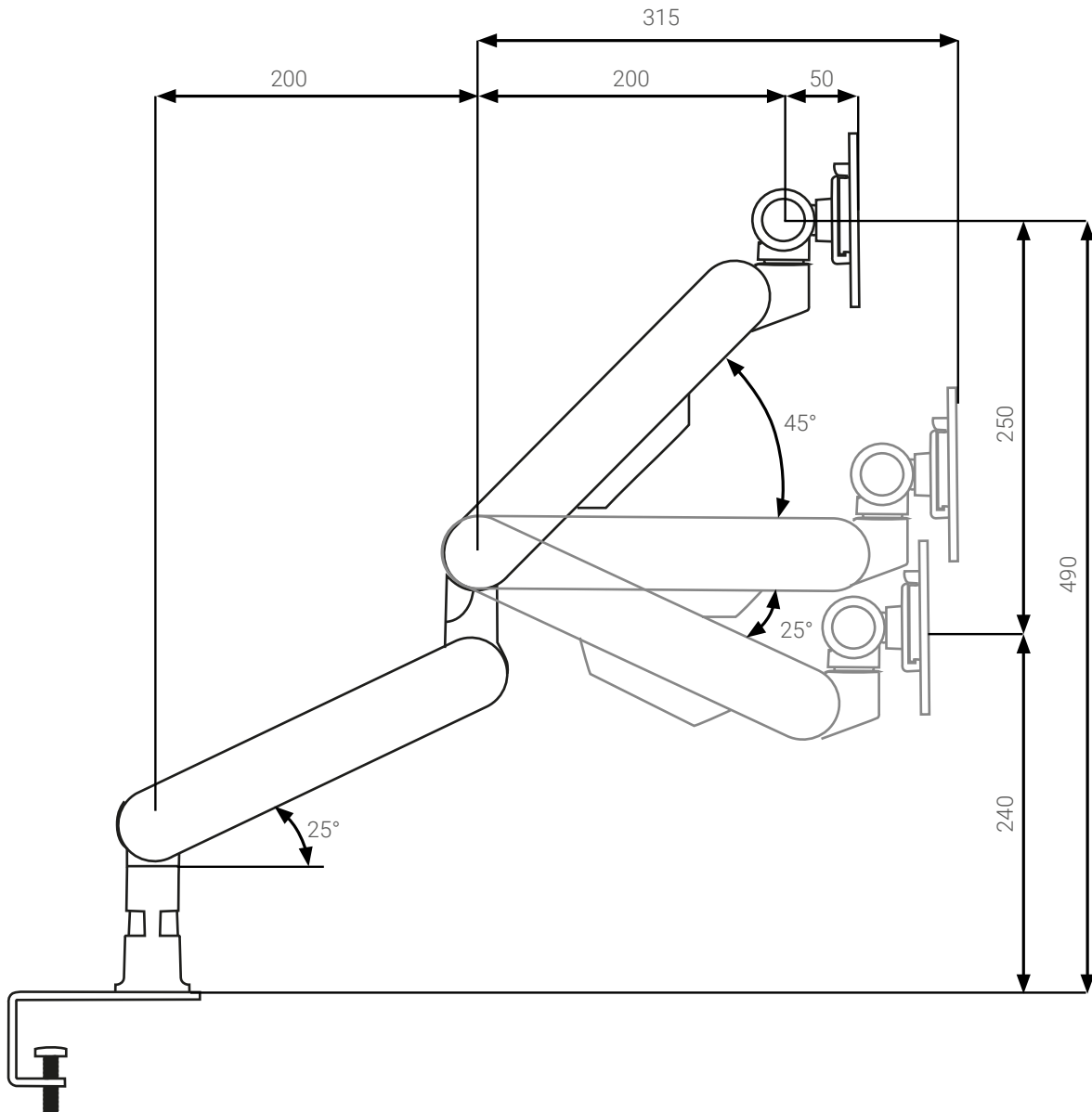


Arm **PLUG & PLAY DUO Dynamics** for screen up to 7,5 Kg, 30"

- | | |
|----------|--|
| A | Quick release VESA PLate 75*75 and 100*100 mm |
| B | Adjustable head (pivot, tilt, swivel) |
| C | Rotation limiter at each joint (see page 5) |
| D | Dynamic link with cable tray, weight capacity adjustment up to 7,5 kg with view port, lift 250 mm (-25° / + 45°) |
| E | Angled link (25°) with integrated cable tray |
| F | Cable guide |
| G | ISOLA clamp opening 15-40 mm, compatible with a 45 mm thick desk-up screen, 5 mm thick steel (alternative fixing options page 4) |

PLUG & PLAY DUO Dynamics

Dimensions (mm)

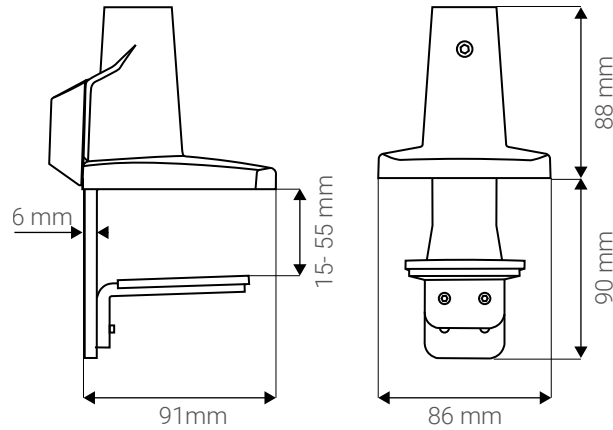
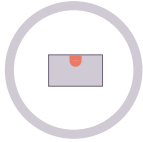


PLUG & PLAY DUO Dynamics

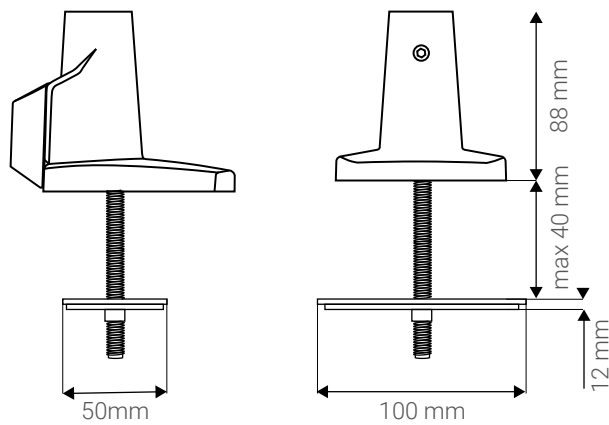
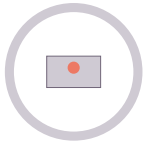
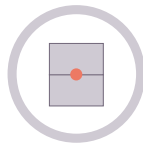
FIXING OPTIONS

Manade takes no liability in case of structural weakness of the desk top

Standard clamp

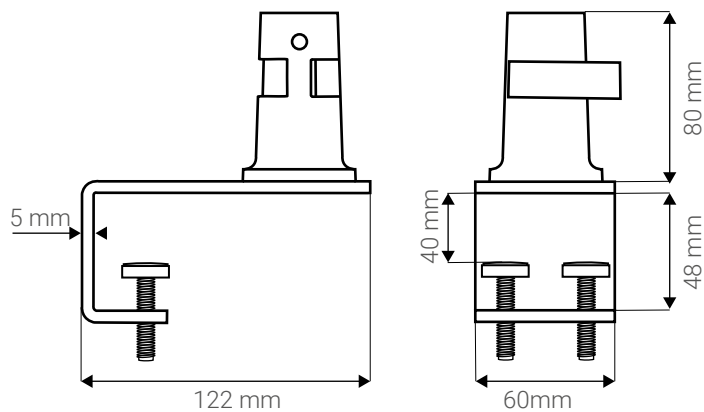
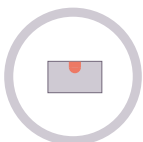


Two-sided clamp and Screw-on fixing



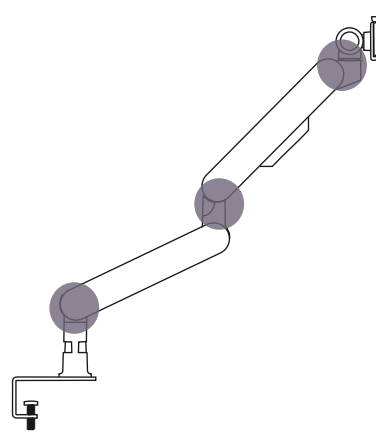
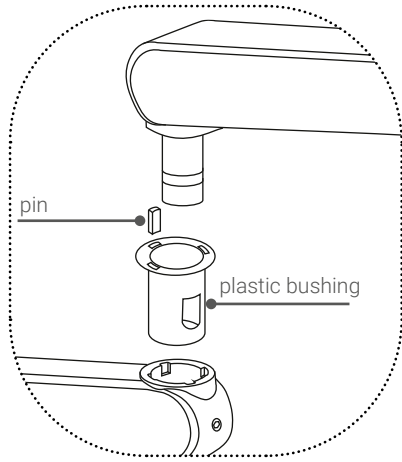
Clamp compatible with Isola screens

Compatible with a 45 mm thick screen subject to the passage of the 5 mm thick clamp between the desktop and the screen.

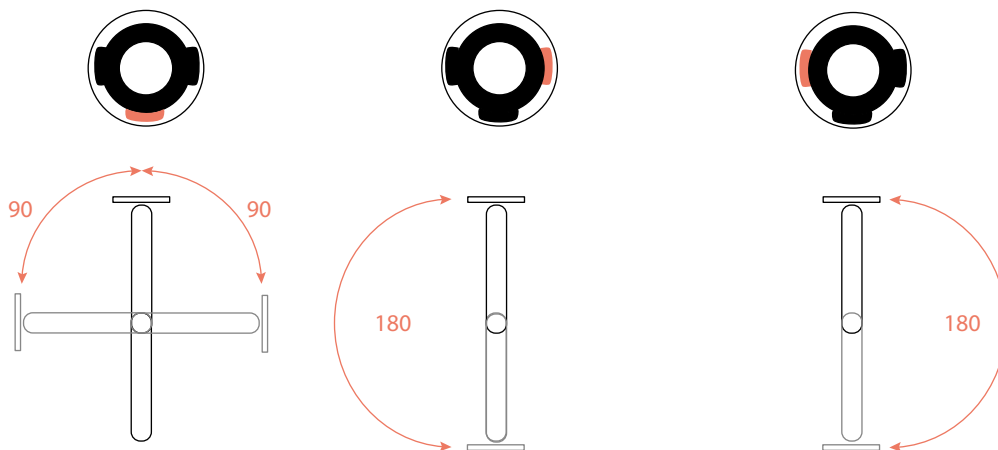


PLUG & PLAY DUO Dynamics

ROTATION LIMITER



Rotation limiter at each joint, limiting rotation according to 3 positions.
Without the pin the arm rotates 360°.



MATERIALS

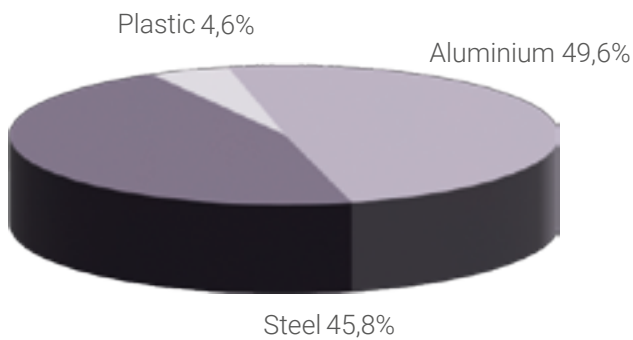
Tous All the components satisfy RoHS requirements.

The arm is built to comply with reference European directives.

Tested according to ANSI/BIFMA X5.5-2021 (test report on request)

The arm is made of aluminium and steel. 100 % of the materials are recyclable

Arm	Powder-coated Aluminium
Standard base	Powder-coated Aluminium
Isola clamp	Powder-coated Steel
Passe-câbles, guide fil	Plastic



PACKAGING

Recycled Cardboard, 1 parcel