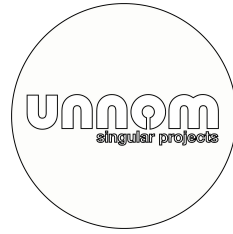
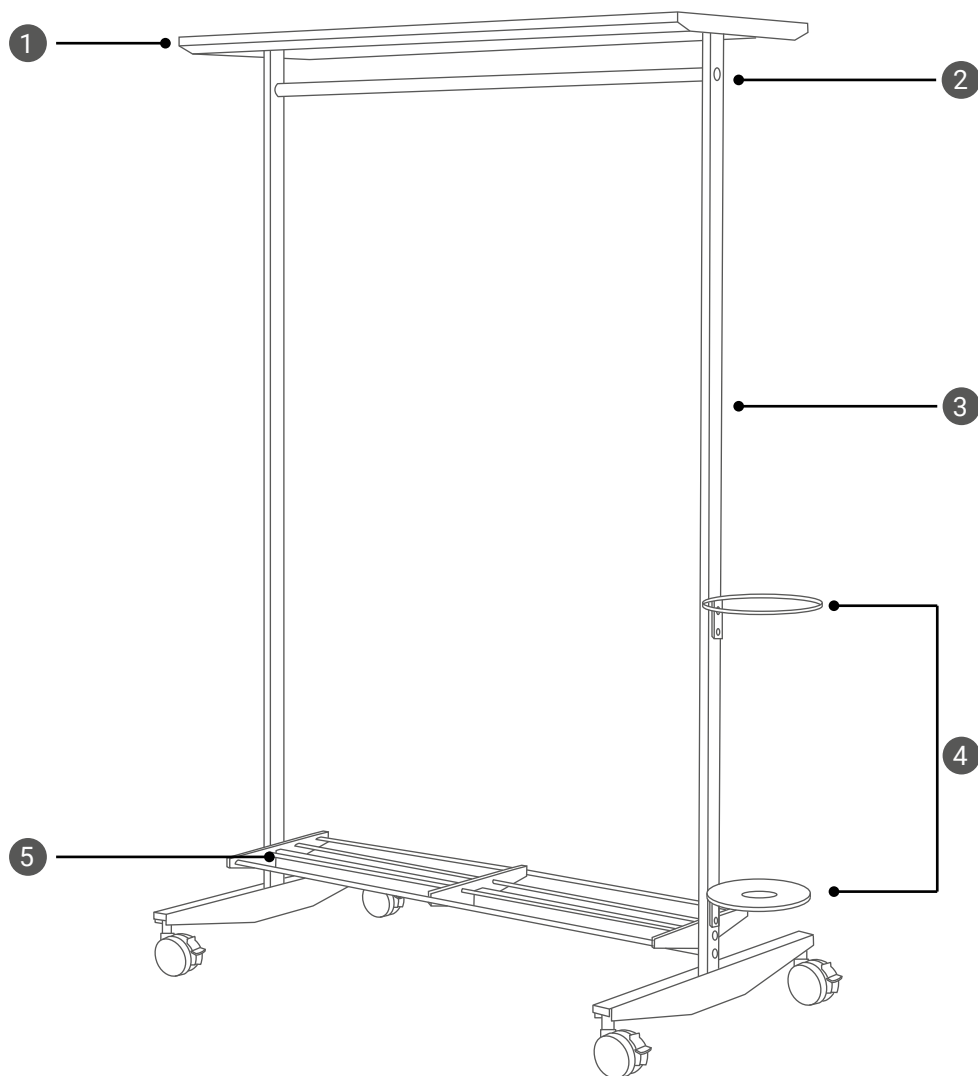


TECHNICAL SHEET

SHERPA coat rack



SHERPA COAT RACK



① Top shelf in 1 mm thick steel, embossed pattern

② rail in Ø 25 mm steel tube

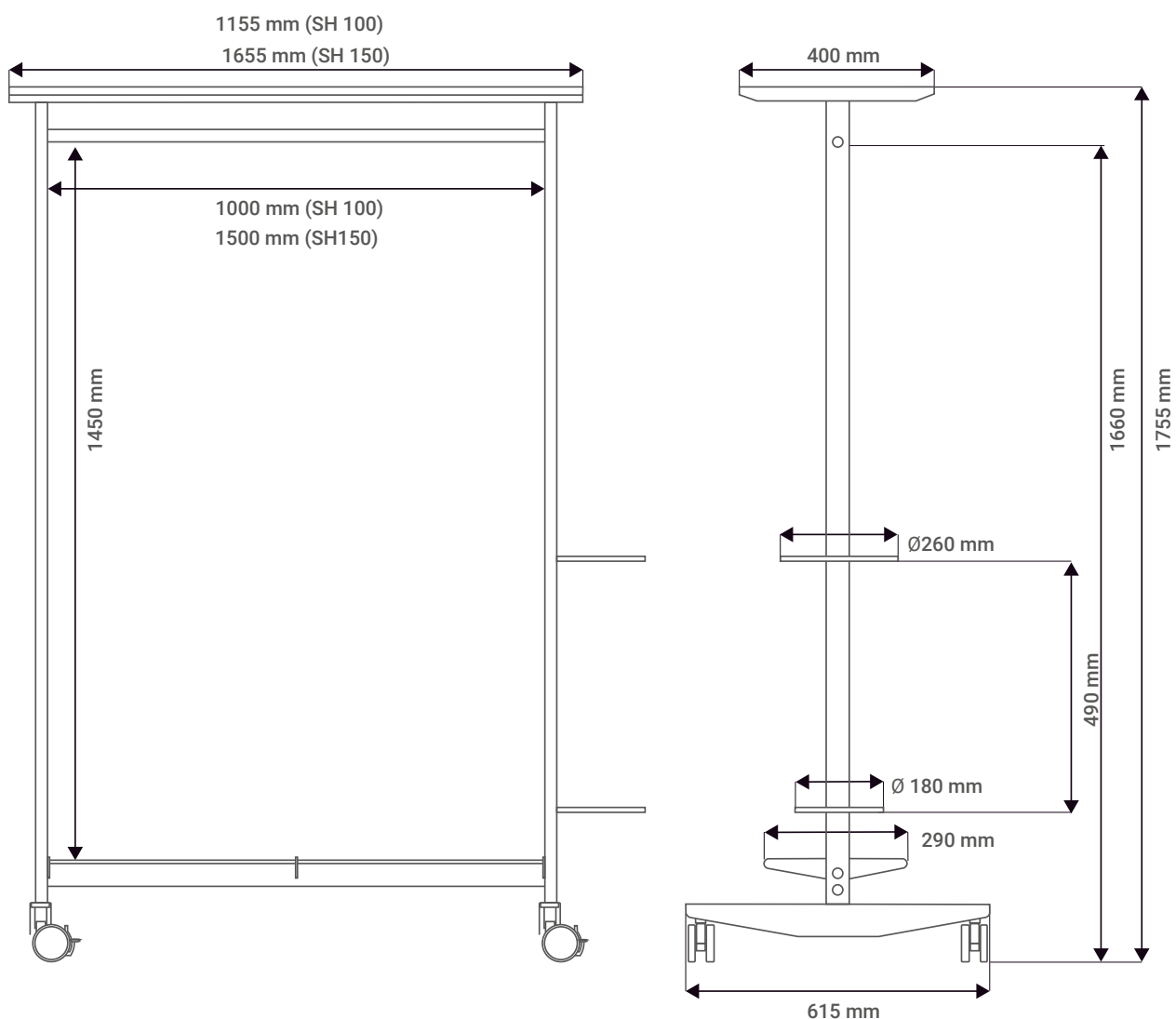
③ 2 uprights in 1.5 mm thick steel, each of them fitted with 2 braked wheelcasters Ø 75 mm, squared on a 50 x 25 mm steel tube

OPTIONAL EXTRAS

④ Umbrella stand
Umbrella ring made of a steel plate L.10 mm, dimensions 180 x 240 mm,
Ø 180 mm base in 4 mm thick steel., acier ép. 4mm,Drip tray in PVC

⑤ Bottom shelf bagage
Consists of 4 x Ø 8 mm steel wire, connected with 3x 4 mm thick steel plate

SHERPA COAT RACK



	Reference	Description	net weight
A	SH 100	Coat rack L. 100 cm	17.86 kg
B	SH 100 PB	Coat rack L. 100 cm with bottom shelf	20.25 kg
C	SH 100 PB PP	Coat rack L. 100 cm with bottom shelf and umbrella stand	21.50 kg
D	SH 150	Coat rack L. 150 cm	21.37 kg
E	SH 150 PB	Coat rack L. 150 cm with bottom shelf	24.93 kg
F	SH 150 PB PP	Coat rack L. 150 cm with bottom shelf and umbrella stand	26.10 kg

Coat rack are supplied assembled (1 parcel 180 x 70 x 16 cm).

Our paints are free of hazardous substances in accordance with REACH regulations.

The packaging is made of recycled cardboard.