



SIVA-02 Contenedor 2 residuos



Contenedor metálico de gran capacidad para uso interior, que permite la recogida selectiva de residuos, mediante 2 orificios circulares.

Dispone de cubetas interiores en hierro galvanizado para facilitar el vaciado. Mediante la apertura de la tapa superior abatible, fabricada en chapa de hierro pintada en epoxy, color RAL a determinar, se accede a cada una de las cubetas interiores, mediante dos bisagras de retención.

En la parte inferior de cada orificio de la tapa superior, se incorpora un elemento cónico fabricado en aluminio, que facilitará la auto-extinción de un fortuito incendio en su interior (ver Certificado de Ensayo de Ignifuguidad).



El cuerpo principal fabricado en chapa de hierro y acabado en pintura epoxy color RAL a determinar. Incluye 4 toques de goma para la protección de la superficie donde se ubique.

La tapa superior incorpora vinilos en cada una de los orificios para indicar el diferente tipo de residuo.

Medida: 514 x 318 x 743 mm.

Capacidad: 80 Litros (40+40 l.)

Mantenimiento Funcional:

No requiere mantenimiento funcional. Limpieza recomendada con producto neutro y trapo húmedo.

Resistencia al fuego:

Por las características de sus materiales totalmente metálicos, el contenedor se puede clasificar como V0. (ver Certificado Ensayo Ignifuguidad)



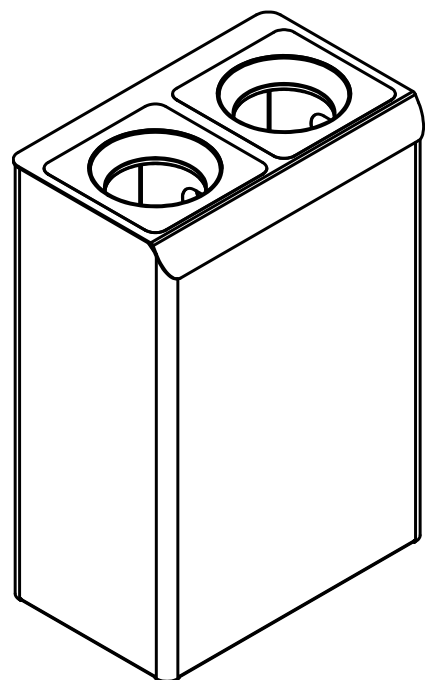
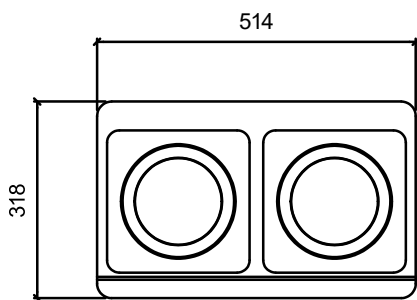
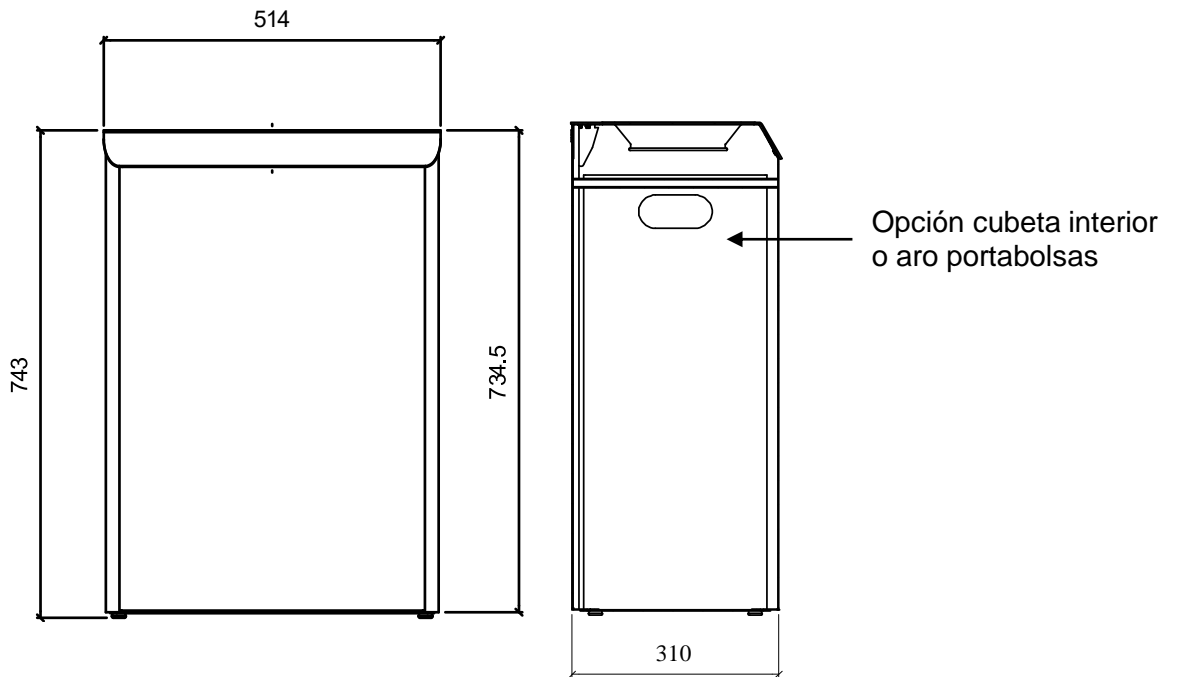
SIVA-02 Contenedor 2 residuos



Posibilidad de personalizar gráfica



SIVA-02 Contenedor 2 residuos





SIVA-01 Contenedor 1 residuo



File nº 15/11177-2731

Page 4

60 minutes	Container 1, 2 and 3: smoke production Container 4: extinguished and without smoke production Container 5: flames remain
80 minutes	Container 1, 2 and 3: smoke production Container 4: extinguished and without smoke production Container 5: flames remain
100 minutes	Container 1, 2 and 3: smoke production Container 4: extinguished and without smoke production Container 5: flames remain
120 minutes	No flames nor smoke are observed in any of the 5 containers of the recycling bin. The test is finalized.

At the end of the test, it was observed that:

In container nº 1, the paper was consumed almost completely.

In container nº 2, industrial thick cardboard hardly burned.

In container nº 3, plastic bottles and plastic films were not entirely consumed.

In container nº 4, thin cardboard and paper were consumed almost entirely.

In container nº 5, industrial plastic was consumed practically entirely.

Taking into account the results obtained, it is concluded:

**The sample referenced "PAPELERA 5 RESIDUOS" is considered to be
SELF-EXTINGUISHING**

Digitally signed by
Jordi Mirabent Junyent

Digitally signed by
Salvador Suñol Gálvez

Responsible of the Fire Laboratory
LGAI Technological Center S.A.

Responsible of Fire Reaction
LGAI Technological Center S.A.

The results refer exclusively to the samples tested at the time and under the conditions indicated.

Applus+, guarantees that this task has been carried out in compliance with the requirements of our Quality and Sustainability System, and furthermore, that the contractual terms and legal regulations have been complied with. In the framework of our improvement programme, we would appreciate any comments you may deem appropriate. These should be addressed to the manager who signs this document, or to the Quality Director of Applus+, at the following address: satisfaccion.cliente@appluscorp.com



Pol. Ind. Les Guixeres
Plàstic, 14
08915 - Badalona
T +34 933 950 905



www.unnom.es