



Monitor Arm Specification Tool

Get Started



Select a product category to get started



The fluid, dynamic movement of Flo monitor arms can precisely adjust the position of one or multiple screens with minimal effort. The intuitive fingertip control quickly covers a wide range of motion to create the optimal position for everyone's eyes, even those with progressive lenses.

Dynamic Arms



The Wishbone monitor arm frees up worksurface space, while allowing you to position the screen at the proper distance to ease neck and eye strain. A combination of robust engineering and precise controls position screens right where you need them, and keeps them firmly in place.

Post Mount Arms

Dynamic Monitor Arms

Select your weight requirement
and preferred support finish*

0 - 3 kgs

3 - 9 kgs

9 - 18 kgs



* White and Black finish options are available in select models.

Dynamic Monitor Arms

Select your weight requirement and preferred support finish*

0 - 3 kgs

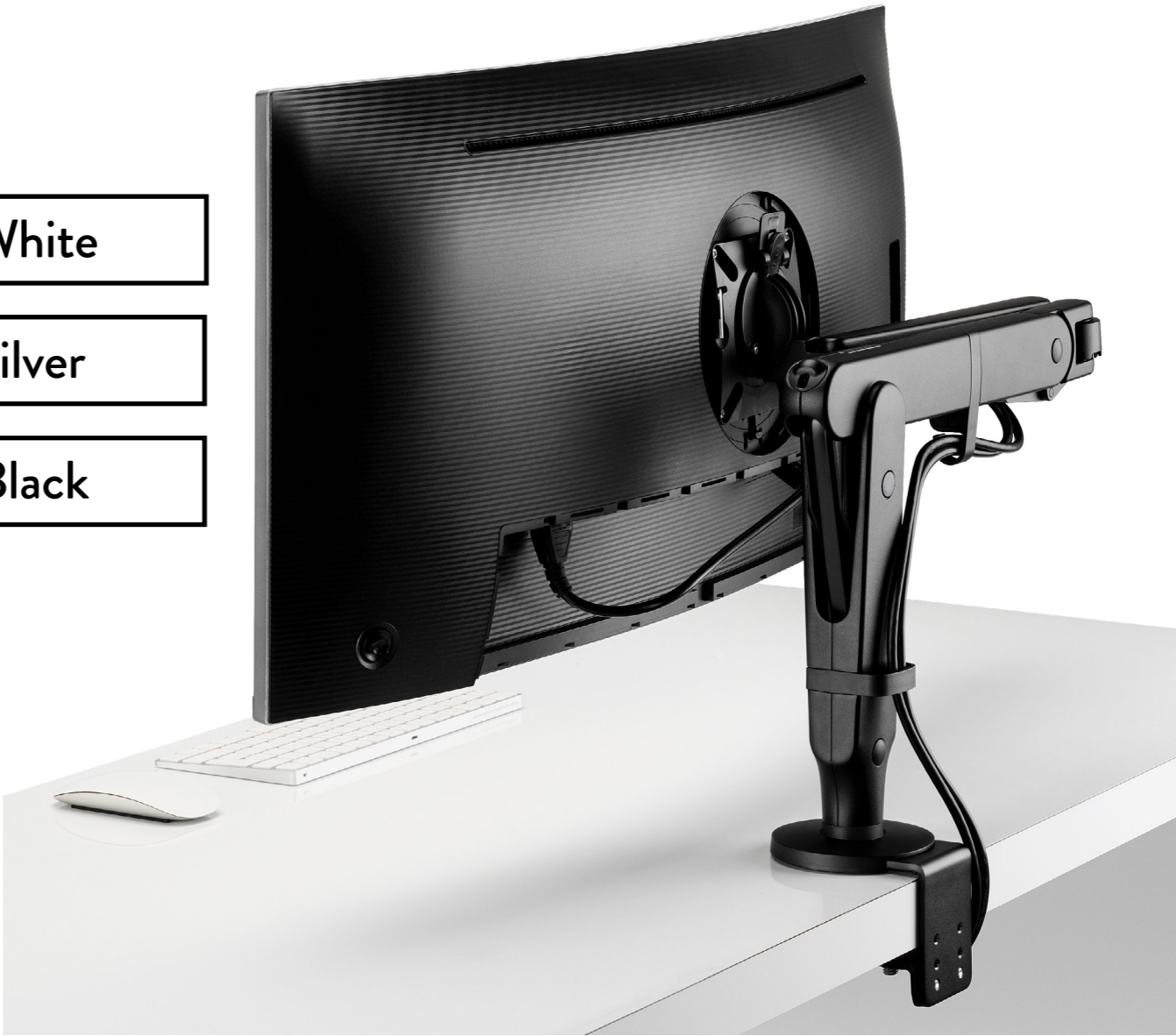
3 - 9 kgs

9 - 18 kgs

White

Silver

Black



* White and Black finish options are available in select models.

Dynamic Monitor Arms

Select your weight requirement
and preferred support finish*

Dynamic Arms: 0 - 3 kg

How many monitors will you be using?

1 Monitor

2 Monitors

* White and Black finish options are available in select models.

Dynamic Monitor Arms

Select your weight requirement
and preferred support finish*

Dynamic Arms: 0 - 3 kg

How many monitors will you be using?

1 Monitor

2 Monitors

* White and Black finish options are available in select models.

Dynamic Monitor Arms

Select your weight requirement
and preferred support finish*

Dynamic Arms: 0 - 3 kg

How many monitors will you be using?

1 Monitor

2 Monitors

* White and Black finish options are available in select models.

Dynamic Monitor Arms

Select your weight requirement and preferred support finish*

0 - 3 kgs

3 - 9 kgs

9 - 18 kgs

White

Silver

Black



* White and Black finish options are available in select models.

Dynamic Monitor Arms

Select your weight requirement
and preferred support finish*

Dynamic Arms: 3 - 9 kg

How many monitors will you be using?

1 Monitor

2 Monitors

* White and Black finish options are available in select models.

Dynamic Monitor Arms

Select your weight requirement
and preferred support finish*

Dynamic Arms: 3 - 9 kg

Will you need to accommodate weights from 0 - 9 kg?

Yes

No

* White and Black finish options are available in select models.

Dynamic Monitor Arms

Select your weight requirement
and preferred support finish*

Dynamic Arms: 3 - 9 kg - 2 monitors

Will you need to accommodate weights from 0 - 9 kg?

Yes

No

* White and Black finish options are available in select models.

Dynamic Monitor Arms

Select your weight requirement
and preferred support finish*

Dynamic Arms: 3 - 9 kg

How many monitors will you be using?

1 Monitor

2 Monitors

* White and Black finish options are available in select models.

Dynamic Monitor Arms

Select your weight requirement
and preferred support finish*

Dynamic Arms: 3 - 9 kg

Will you need to accommodate weights from 0 - 9 kg?

Yes

No

* White and Black finish options are available in select models.

Dynamic Monitor Arms

Select your weight requirement
and preferred support finish*

Dynamic Arms: 3 - 9 kg - 2 monitors

Will you need to accommodate weights from 0 - 9 kg?

Yes

No

* White and Black finish options are available in select models.

Dynamic Monitor Arms

Select your weight requirement
and preferred support finish*

Dynamic Arms: 3 - 9 kg – 2 monitors

Select your monitor size requirement.

Under 22 inches

22 inches and above

* White and Black finish options are available in select models.

Dynamic Monitor Arms

Select your weight requirement
and preferred support finish*

Dynamic Arms: 3 - 9 kg – 2 monitors

Do you need your monitors to move
in tandem or independently?

In Tandem

Independently

* White and Black finish options are available in select models.

Dynamic Monitor Arms

Select your weight requirement
and preferred support finish*

Dynamic Arms: 3 - 9 kg

How many monitors will you be using?

1 Monitor

2 Monitors

* White and Black finish options are available in select models.

Dynamic Monitor Arms

Select your weight requirement
and preferred support finish*

Dynamic Arms: 9 - 18 kg

How many monitors will you be using?

1 Monitor

2 Monitors

* White and Black finish options are available in select models.

Your Dynamic Arm Results:

Flo[®] Single Monitor Arm

Mount Options

All Dynamic Single Arms

Mount: Surface Clamp | **Finish:** White

[View in Silver Finish >](#)

[View in Black Finish >](#)





Flo[®] Single Monitor Arm

Surface Clamp Mount

Top Seller

The Surface Clamp is our most popular attachment bracket – accounting for 80% of Flo sales. This attachment style allows monitors to be spaced anywhere along the back edge of the desk.



Additional Mounts



Through Mount



Grommet

Your Dynamic Arm Results:

Flo[®] Single Monitor Arm

Mount Options

All Dynamic Single Arms

Mount: Surface Clamp | **Finish:** Silver

[View in White Finish >](#)

[View in Black Finish >](#)



[Return to Main Menu](#)

[More Information](#)

[Email CBS Sales](#)

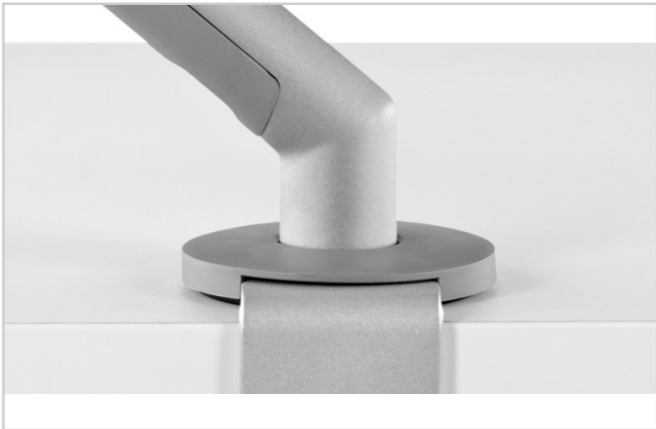


Flo[®] Single Monitor Arm

Surface Clamp Mount

Top Seller

The Surface Clamp is our most popular attachment bracket – accounting for 80% of Flo sales. This attachment style allows monitors to be spaced anywhere along the back edge of the desk.



Additional Mounts



Through Mount



Grommet

Your Dynamic Arm Results:

Flo[®] Plus Single Monitor Arm

All Dynamic Single Arms

Mount: Surface Clamp | Finish: White



Your Dynamic Arm Results:

Ollin[®] Single Monitor Arm

Mount Options

All Dynamic Single Arms

Mount: Surface Clamp | **Finish:** White

[View in Silver Finish >](#)

[View in Black Finish >](#)



[Return to Main Menu](#)

[More Information](#)

[Email CBS Sales](#)



Ollin® Single Monitor Arm

Surface Clamp Mount

Top Seller

The Surface Clamp is our most popular attachment bracket – accounting for 80% of our monitor arm sales. This attachment style allows monitors to be spaced anywhere along the back edge of the desk.



Additional Mounts



Through Mount



Grommet

Your Dynamic Arm Results:

Ollin® Single Monitor Arm

Mount Options

All Dynamic Single Arms

Mount: Surface Clamp | **Finish:** Black

[View in Silver Finish >](#)

[View in White Finish >](#)



[Return to Main Menu](#)

[More Information](#)

[Email CBS Sales](#)



All Dynamic Single Arms

Ollin® Single Monitor Arm

Surface Clamp Mount

Top Seller

The Surface Clamp is our most popular attachment bracket – accounting for 80% of our monitor arm sales. This attachment style allows monitors to be spaced anywhere along the back edge of the desk.



Additional Mounts



Through Mount



Grommet

Your Dynamic Arm Results:

Ollin® Single Monitor Arm

Mount Options

All Dynamic Single Arms

Mount: Surface Clamp | **Finish:** Silver

[View in White Finish >](#)

[View in Black Finish >](#)





Ollin® Single Monitor Arm

Surface Clamp Mount

Top Seller

The Surface Clamp is our most popular attachment bracket – accounting for 80% of our monitor arm sales. This attachment style allows monitors to be spaced anywhere along the back edge of the desk.



Additional Mounts



Through Mount



Grommet

Dynamic Monitor Arm

Single Monitor Arm Options



Flo Single Monitor Arm

Flo Single is recommended for monitors between 3 and 9 kg and is available in multiple mount options and white and silver finishes.

[View ▶](#)



Flo Plus Single Monitor Arm

The Flo Plus Single is ideal for monitor workspaces that require a dynamic arm ranging from 8.5 - 15 kg. If using an Apple monitor, please visit Apple's website to check for compatibility, as these monitors require an adapter plate from Apple.

[View ▶](#)



Ollin Single Monitor Arm

As technology advances, devices become lighter and more compact. With the Ollin Monitor Arm, you can support a range of monitors and laptops from 0 - 9 kg. The arm has a wide range of motion, including the ability to rotate landscape or portrait.

[View ▶](#)

Your Dynamic Arm Results:

2 Flo® Single Monitor Arms

Mount Options

All Dynamic Dual Arms

Mount: Surface Clamp | **Finish:** White

[View in Silver Finish >](#)

[View in Black Finish >](#)



[Return to Main Menu <](#)

[More Information >](#)

[Email CBS Sales >](#)



2 Flo® Single Monitor Arms

Surface Clamp Mount

Top Seller

The Surface Clamp is our most popular attachment bracket – accounting for 80% of Flo sales. This attachment style allows monitors to be spaced anywhere along the back edge of the desk.

Using the Surface Clamp to mount Flo Single Monitor Arms for 2 screens gives you the most flexibility for your workspace. Mount your screens closer together to spread your project over the space of both screens, or allow for more desktop space by spacing your mounts farther apart.



Additional Mounts



Through Mount



Grommet

Your Dynamic Arm Results:

2 Flo® Single Monitor Arms

Mount Options

All Dynamic Dual Arms

Mount: Surface Clamp | **Finish:** Silver

[View in White Finish >](#)

[View in Black Finish >](#)



[Return to Main Menu](#)

[More Information](#)

[Email CBS Sales](#)



2 Flo® Single Monitor Arms

Surface Clamp Mount

Top Seller

The Surface Clamp is our most popular attachment bracket – accounting for 80% of Flo sales. This attachment style allows monitors to be spaced anywhere along the back edge of the desk.

Using the Surface Clamp to mount Flo Single Monitor Arms for 2 screens gives you the most flexibility for your workspace. Mount your screens closer together to spread your project over the space of both screens, or allow for more desktop space by spacing your mounts farther apart.



Additional Mounts



Through Mount



Grommet

Your Dynamic Arm Option 1:

Flo® Dual Monitor Arm

Mount: Surface Clamp | **Finish:** Silver

[Email CBS Sales >](#)

[Additional Mount Options >](#)



For a dual screen workspace with a clean aesthetic, the Flo Dual offers a compact support system with a maximum recommended screen size of 27" and under.

Your Dynamic Arm Option 2:

Flo® Dual Monitor Modular Arm

Mount: Surface Clamp | **Finish:** Silver

[Email CBS Sales >](#)

[Additional Mount Options >](#)



For workspaces with monitors 27" and under that require additional attachment solutions, the Flo Dual Modular offers more flexibility to fit any desktop.



Flo® Dual Monitor Modular Arm

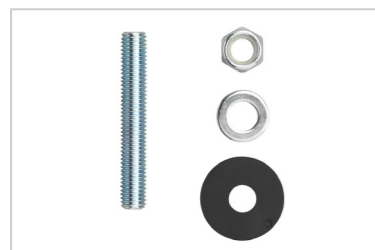
Surface Clamp Mount

Top Seller

The Surface Clamp is our most popular attachment bracket – accounting for 80% of Flo sales. This attachment style allows monitors to be spaced anywhere along the back edge of the desk.



Additional Mounts



Through Mount



Grommet

Your Dynamic Arm Results:

Flo[®] Plus Dual Monitor Arm

All Dynamic Dual Arms

Mount: Surface Clamp | **Finish:** Silver



[Return to Main Menu](#)

[More Information](#)

[Email CBS Sales](#)

Your Dynamic Arm Results:

Ollin® Dual Monitor Arm

Mount Options

All Dynamic Dual Arms

Mount: Surface Clamp | **Finish:** White

[View in Silver Finish >](#)

[View in Black Finish >](#)



[Return to Main Menu <](#)

[More Information >](#)

[Email CBS Sales >](#)



Ollin® Dual Monitor Arm

Surface Clamp Mount

Top Seller

The Surface Clamp is our most popular attachment bracket – accounting for 80% of our monitor arm sales. This attachment style allows monitors to be spaced anywhere along the back edge of the desk.



Additional Mounts



Through Mount



Grommet

Your Dynamic Arm Results:

Ollin® Dual Monitor Arm

Mount Options

All Dynamic Dual Arms

Mount: Surface Clamp | **Finish:** Black

[View in Silver Finish >](#)

[View in White Finish >](#)



[Return to Main Menu <](#)

[More Information >](#)

[Email CBS Sales >](#)



Ollin® Dual Monitor Arm

Surface Clamp Mount

Top Seller

The Surface Clamp is our most popular attachment bracket – accounting for 80% of our monitor arm sales. This attachment style allows monitors to be spaced anywhere along the back edge of the desk.



Additional Mounts



Through Mount



Grommet

Your Dynamic Arm Results:

Ollin® Dual Monitor Arm

Mount Options

All Dynamic Dual Arms

Mount: Surface Clamp | **Finish:** Silver

[View in Black Finish >](#)

[View in White Finish >](#)





Ollin® Dual Monitor Arm

Surface Clamp Mount

Top Seller

The Surface Clamp is our most popular attachment bracket – accounting for 80% of our monitor arm sales. This attachment style allows monitors to be spaced anywhere along the back edge of the desk.



Additional Mounts



Through Mount



Grommet

Dynamic Monitor Arm

Dual Monitor Arm Options



2 Flo Single Monitor Arm

When using monitors 22" - 27", two single screen arms allow for greater workspace customization, while providing the ability to adapt as technology changes.

[View ▶](#)



Flo Dual Monitor Arm

For a dual screen workspace with a clean aesthetic, the Flo Dual offers a compact support system with a maximum recommended screen size of under 27".

[View ▶](#)



Flo Dual Monitor Modular Arm

For workspaces with monitors under 27" that require additional attachment solutions, the Flo Dual Modular is available in a variety of mounting options to attach to various worksurfaces.

[View ▶](#)



Flo Plus Dual Monitor Arm

Two monitors that each range between 3.25- 8 kg that move in tandem with each other are supported by Flo Plus Dual. Flo Plus Dual can hold two monitors up to 27" each.

[View ▶](#)



Ollin Dual Monitor Arm

With the Ollin Monitor Arm, you can support a range of 22" - 27" monitors from 0 - 4 kg. You can attach a dual-screen mount to the main arm to enable moving two monitors horizontally and vertically, or tilting in tandem.

[View ▶](#)

Static Monitor Arms

Select your weight requirement

0 - 3 kgs

3 - 9 kgs

9 - 18 kgs



Static Monitor Arms

Select your weight requirement

0 - 3 kgs

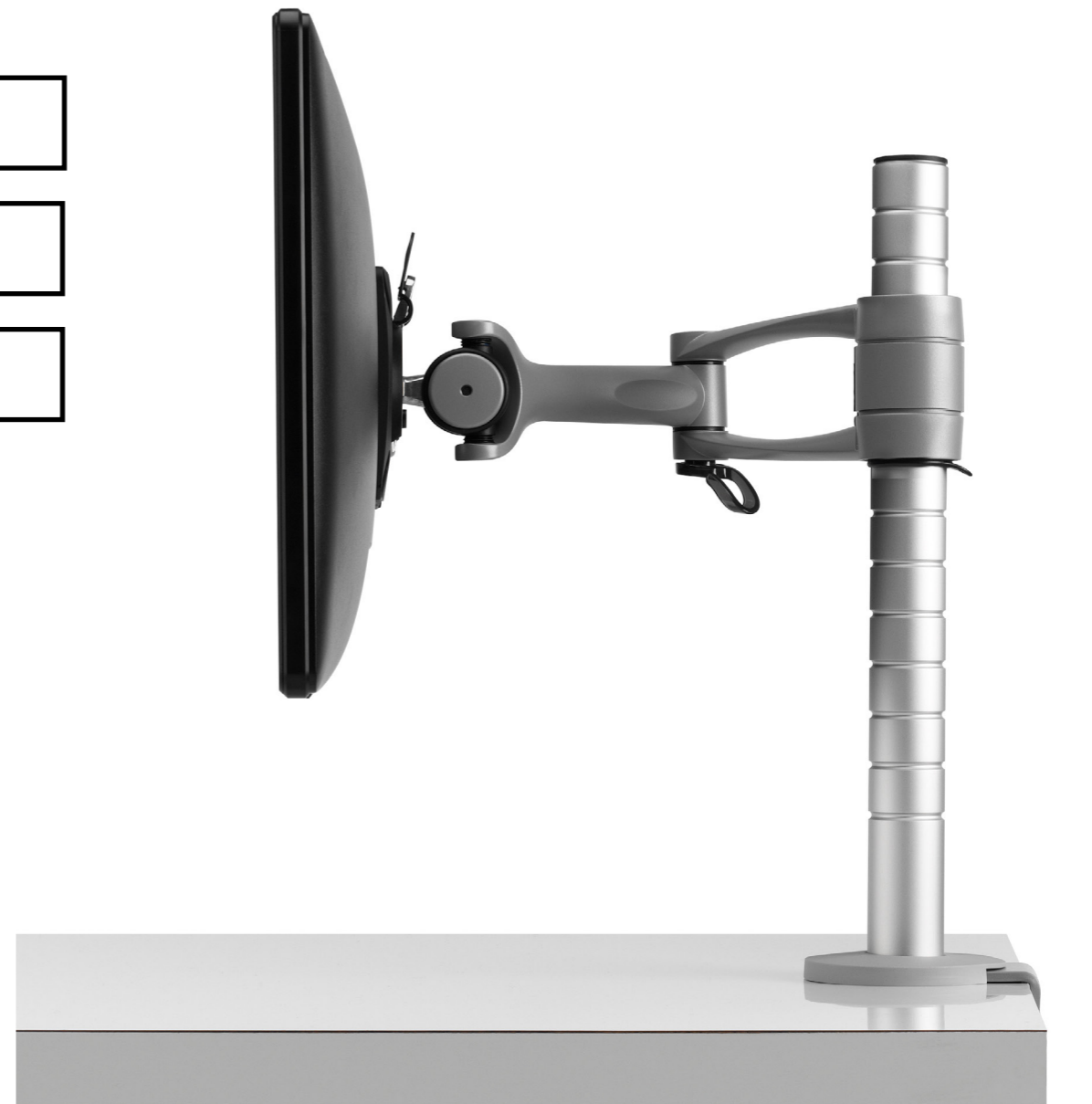
3 - 9 kgs

9 - 18 kgs

White

Silver

Black



Static Monitor Arms

Select your weight requirement

Static Arms: 0 - 6.5 kg

How many monitors will you be using?

1 Monitor

2 Monitors

Static Monitor Arms

Select your weight requirement

Static Arms: 0 - 6.5 kg

How many monitors will you be using?

1 Monitor

2 Monitors

Static Monitor Arms

Select your weight requirement

Static Arms: 0 - 6.5 kg

How many monitors will you be using?

1 Monitor

2 Monitors

Static Monitor Arms

Select your weight requirement

Static Arms: 6.5 - 12 kg

How many monitors will you be using?

1 Monitor

2 Monitor

4 Monitors

Static Monitor Arms

Select your weight requirement

Static Arms: 6.5 - 12 kg – 2 Monitors

Do your monitors need focal depth adjustment?

Yes

No

Static Monitor Arms

Select your weight requirement

Static Arms: 6.5 - 12 kg – 4 Monitors

Do your monitors need focal depth adjustment?

Yes

No

Static Monitor Arms

Select your weight requirement

Static Arms: 12 - 24 kg

How many monitors will you be using?

1 Monitor

2 Monitor

4 Monitors

Your Static Arm Results:

Wishbone® Single Monitor Arm

All Post Mount Single Arms

Mount: Surface Clamp

Finish: Silver

Mount Options

All Post Mount Single Arms



For a price sensitive alternative on monitors up to 8.5 kg, also try:

Daisyone™ Single Monitor Arm



Mount: Surface Clamp

Finish: Silver

[Daisyone Mount Options >](#)

[Email CBS Sales >](#)

[Return to Main Menu](#)

[More Information](#)

[Email CBS Sales](#)



Wishbone® Single Monitor Arm

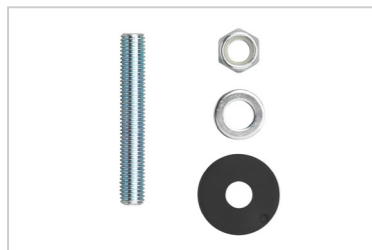
Surface Clamp Mount

Top Seller

The Surface Clamp is our most popular attachment bracket – accounting for 80% of our monitor arm sales. This attachment style allows monitors to be spaced anywhere along the back edge of the desk.



Additional Mounts



Through Mount



Grommet



High Load



Daisyone™ Single Monitor Arm

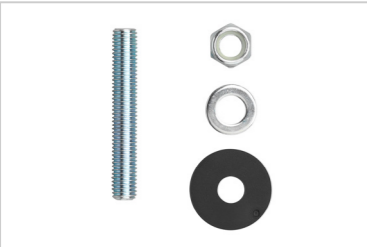
Surface Clamp Mount

Top Seller

The Surface Clamp is our most popular attachment bracket – accounting for 80% of our monitor arm sales. This attachment style allows monitors to be spaced anywhere along the back edge of the desk.



Additional Mounts



Through Mount



Grommet



High Load

Your Static Arm Results:

Wishbone® Plus Single Monitor Arm

Mount Options

All Post Mount Single Arms

Mount: Surface Clamp | Finish: Silver



[Return to Main Menu](#)

[More Information](#)

[Email CBS Sales](#)

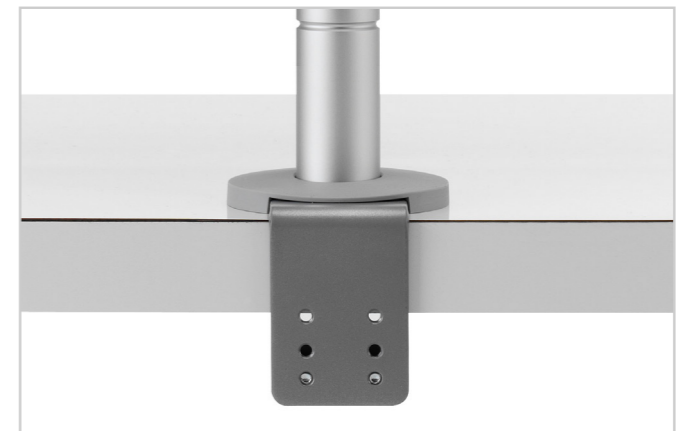


Wishbone® Plus Single Monitor Arm

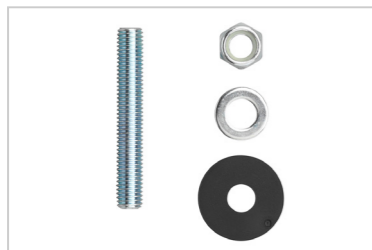
Surface Clamp Mount

Top Seller

The Surface Clamp is our most popular attachment bracket – accounting for 80% of our monitor arm sales. This attachment style allows monitors to be spaced anywhere along the back edge of the desk.



Additional Mounts



Through Mount



Grommet



High Load

Your Static Arm Results:

Lima[®] Single Monitor Arm

Available in Surface Clamp Only

All Post Mount Single Arms

Mount: Surface Clamp | **Finish:** White

[View in Black Finish >](#)

[View in Grey Finish >](#)



[Return to Main Menu](#)

[More Information](#)

[Email CBS Sales](#)

Your Static Arm Results:

Lima[®] Single Monitor Arm

Available in Surface Clamp Only

All Post Mount Single Arms

Mount: Surface Clamp | **Finish:** Black

[View in Grey Finish >](#)

[View in White Finish >](#)



[Return to Main Menu](#)

[More Information](#)

[Email CBS Sales](#)

Your Static Arm Results:

Lima[®] Single Monitor Arm

Available in Surface Clamp Only

All Post Mount Single Arms

Mount: Surface Clamp | **Finish:** Grey

[View in Black Finish >](#)

[View in White Finish >](#)



Static Monitor Arm

Single Monitor Arm Options



Daisyone Single Monitor Arm

The Daisyone Monitor Arm is a competitively priced static monitor arm that allows for focal adjustment on monitors up to 8.5 kg.

[View](#)



Wishbone Single Monitor Arm

The Wishbone Single Monitor Arm is a scalable static monitor arm that allows for focal adjustment on monitors up to 12 kg.

[View](#)



Wishbone Plus Single Monitor Arm

The Wishbone Plus Single Monitor Arm is a scalable static monitor arm that allows for focal adjustment on monitors up to 24 kg.

[View](#)



Lima Single Monitor Arm

The Lima Single Monitor Arm is an easy to install, all in one box static monitor arm that supports monitors up to 6.5kg. A second extension arm can easily be added to the Lima post without tools to create a dual screen solution.

[View](#)

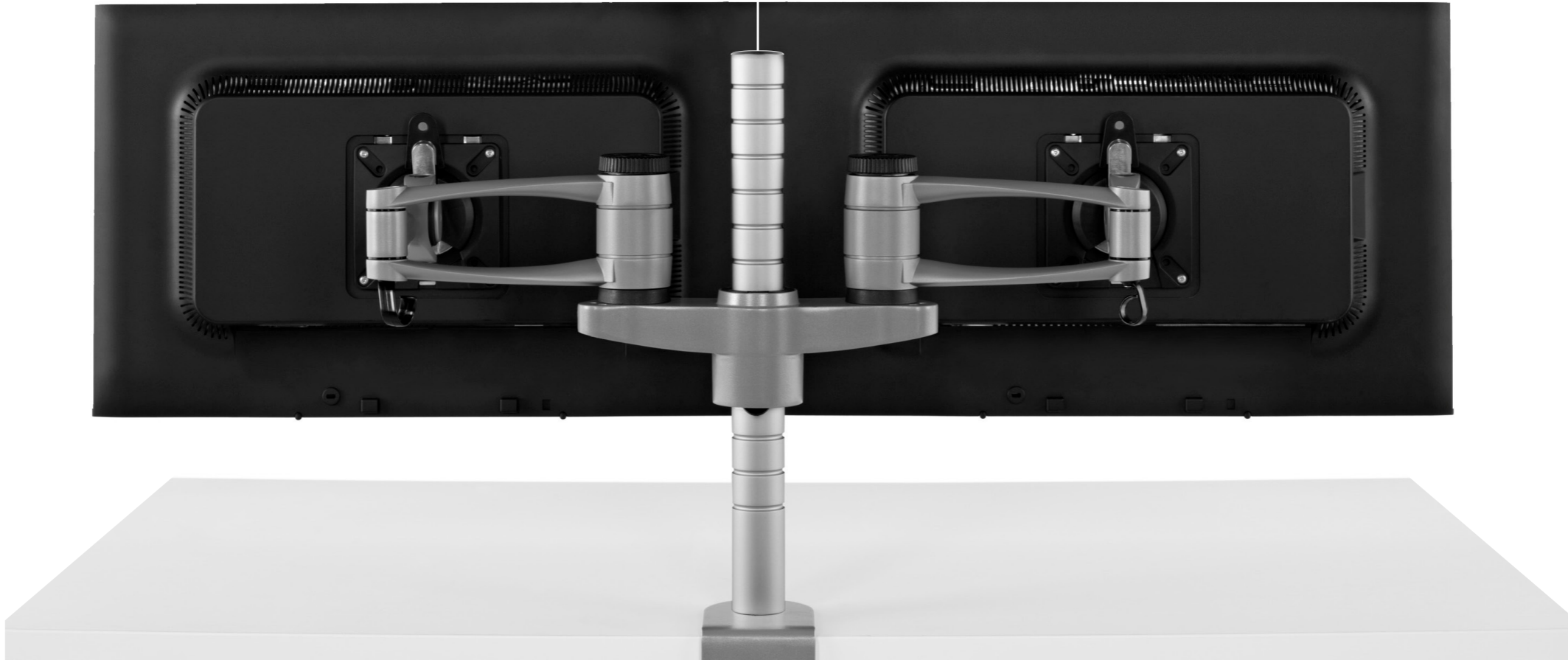
Your Static Arm Results:

Wishbone® Dual Monitor Arm

Mount Options

All Post Mount Dual Arms

Mount: Surface Clamp | Finish: Silver



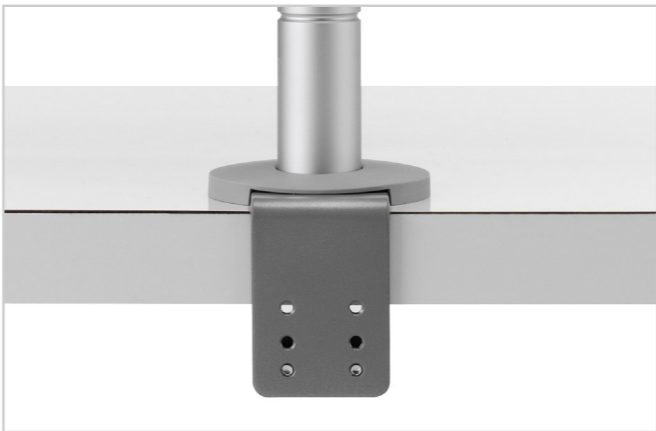


Wishbone® Dual Monitor Arm

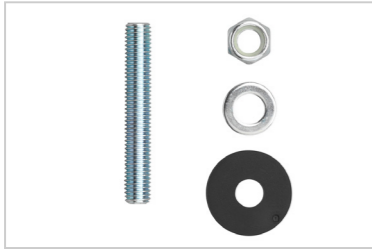
Surface Clamp Mount

Top Seller

The Surface Clamp is our most popular attachment bracket – accounting for 80% of our monitor arm sales. This attachment style allows monitors to be spaced anywhere along the back edge of the desk.



Additional Mounts



Through Mount



Grommet



High Load

Your Static Arm Results:

Wishbone® Dual Bar Monitor Arm

Mount Options

All Post Mount Dual Arms

Mount: High Load Clamp | Finish: Silver





Wishbone® Dual Bar Monitor Arm

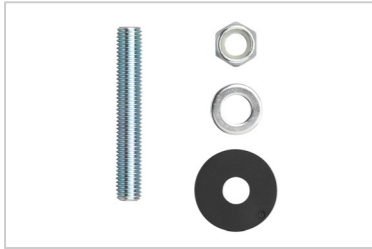
High Load Clamp Mount

Top Seller

The Surface Clamp is our most popular attachment bracket – accounting for 80% monitor arm sales. It is shown with the high load clamp which provides extra stability, especially for adding monitors to the post.



Additional Mounts



Through Mount



Grommet

Your Static Arm Results:

Wishbone® Plus Dual Monitor Arm

Mount Options

All Post Mount Dual Arms

Mount: Surface Clamp | Finish: Silver





Wishbone® Plus Dual Monitor Arm

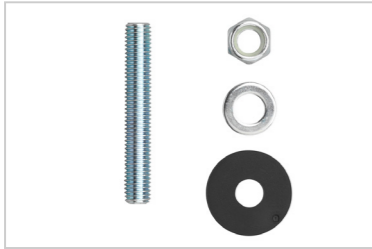
Surface Clamp Mount

Top Seller

The Surface Clamp is our most popular attachment bracket – accounting for 80% of our monitor arm sales. This attachment style allows monitors to be spaced anywhere along the back edge of the desk.



Additional Mounts



Through Mount



Grommet



High Load

Your Static Arm Results:

Lima[®] Dual Monitor Arm

Available in Surface Clamp Only

All Post Mount Dual Arms

Mount: Surface Clamp | **Finish:** White

[View in Black Finish >](#)

[View in Grey Finish >](#)



[Return to Main Menu <](#)

[More Information >](#)

[Email CBS Sales >](#)

Your Static Arm Results:

Lima[®] Dual Monitor Arm

Available in Surface Clamp Only

All Post Mount Dual Arms

Mount: Surface Clamp | **Finish:** Black

[View in Grey Finish >](#)

[View in White Finish >](#)



[Return to Main Menu](#)

[More Information](#)

[Email CBS Sales](#)

Your Static Arm Results:

Lima[®] Dual Monitor Arm

Available in Surface Clamp Only

All Post Mount Dual Arms

Mount: Surface Clamp | **Finish:** Grey

[View in Black Finish >](#)

[View in White Finish >](#)



[< Return to Main Menu](#)

[| More Information >](#)

[Email CBS Sales >](#)

Static Monitor Arm

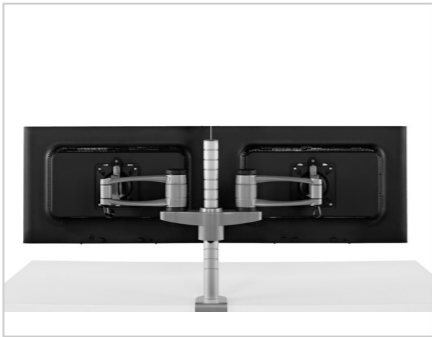
Dual Monitor Arm Options



Daisyone Dual Monitor Arm

The Daisyone Dual Monitor Arm is a competitively priced static monitor arm that allows for focal adjustment on monitors up to 8.5 kg.

[Email CBS Sales](#)



Wishbone Dual Monitor Arm

The Wishbone Dual Monitor Arm is a scalable static monitor arm that allows for focal adjustment on monitors up to 12 kg.

[View](#)



Wishbone Dual Bar Monitor Arm

The Wishbone Dual Bar Monitor Arm positions two monitors at the proper ergonomic height, making it an ideal solution for those that do not need focal depth adjustment on monitors up to 12 kg and 27" wide each.

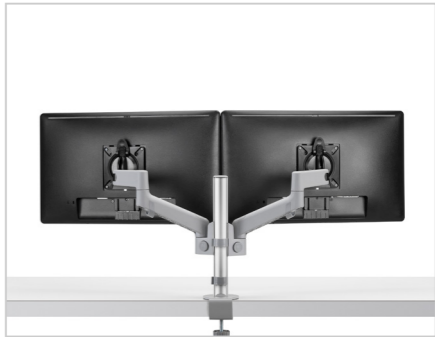
[View](#)



Wishbone Plus Dual Monitor Arm

The Wishbone Plus Dual Monitor Arm is a scalable static monitor arm that allows for focal adjustment on monitors up to 24 kg.

[View](#)



Lima Dual Monitor Arm

The Lima Dual Monitor Arm is an easy to install, all in one box static monitor arm that supports monitors up to 6.5kg.

[View](#)

Your Static Arm Results:

Wishbone® Quad Monitor Arm

Mount Options

All Post Mount Quad Arms

Mount: High Load Clamp | Finish: Silver



[Return to Main Menu](#)

[More Information](#)

[Email CBS Sales](#)



Wishbone® Quad Monitor Arm

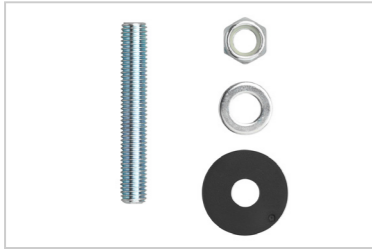
High Load Clamp Mount

Top Seller

The Surface Clamp is our most popular attachment bracket – accounting for 80% monitor arm sales. It is shown with the high load clamp which provides extra stability, especially for adding monitors to the post.



Additional Mounts



Through Mount



Grommet

Your Static Arm Results:

Wishbone® Dual Bar Quad Monitor Arm

Mount Options

All Post Mount Quad Arms

Mount: High Load Clamp | Finish: Silver



[Return to Main Menu](#)

[More Information](#)

[Email CBS Sales](#)



Wishbone® Dual Bar Quad Monitor Arm

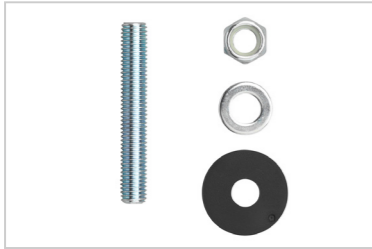
High Load Clamp Mount

Top Seller

The Surface Clamp is our most popular attachment bracket – accounting for 80% monitor arm sales. It is shown with the high load clamp which provides extra stability, especially for adding monitors to the post.



Additional Mounts



Through Mount



Grommet

Your Static Arm Results:

Wishbone® Plus Quad Monitor Arm

Mount Options

All Post Mount Quad Arms

Mount: High Load Clamp | Finish: Silver



[Return to Main Menu](#)

[More Information](#)

[Email CBS Sales](#)



Wishbone® Plus Quad Monitor Arm

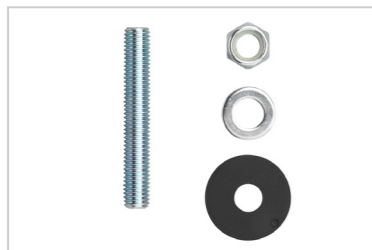
High Load Clamp Mount

Top Seller

The Surface Clamp is our most popular attachment bracket – accounting for 80% monitor arm sales. It is shown with the high load clamp which provides extra stability, especially for adding monitors to the post.



Additional Mounts



Through Mount



Grommet

Static Monitor Arm

Quad Monitor Arm Options



Flo Modular Quad Monitor Arm

The Flo Modular Quad Monitor Arm is a scalable static monitor arm that allows for focal adjustment on monitors up to 9 kg.

[View](#)



Daisyone Quad Monitor Arm

The Daisyone Quad Monitor Arm is a competitively priced static monitor arm that allows for focal adjustment on monitors up to 8.5 kg.

[Email CBS Sales](#)



Wishbone Quad Monitor Arm

The Wishbone Quad Monitor Arm is a scalable static monitor arm that allows for focal adjustment on monitors up to 12 kg.

[View](#)



Wishbone Dual Bar Quad Monitor Arm

The Wishbone Dual Bar Quad Monitor Arm positions four monitors at the proper ergonomic height, making it an ideal solution for those that do not need focal depth adjustment on monitors up to 12 kg and 27" wide each.

[View](#)



Wishbone Plus Quad Monitor Arm

The Wishbone Plus Quad Monitor Arm is a scalable static monitor arm that allows for focal adjustment on monitors up to 24 kg.

[View](#)

Your Dynamic Arm Results:

Flo[®] Single Monitor Arm

Mount Options

All Dynamic Single Arms

Mount: Surface Clamp | **Finish:** White

[View in Silver Finish >](#)

[View in White Finish >](#)



[Return to Main Menu <](#)

[More Information >](#)

[Email CBS Sales >](#)



Flo[®] Single Monitor Arm

Surface Clamp Mount

Top Seller

The Surface Clamp is our most popular attachment bracket – accounting for 80% of Flo sales. This attachment style allows monitors to be spaced anywhere along the back edge of the desk.



Additional Mounts



Through Mount



Grommet

Your Static Arm Results:

Flo Modular Quad Monitor Arm

All Post Mount Quad Arms

Mount: High Load Clamp | **Finish:** Silver



[Return to Main Menu](#)

[More Information](#)

[Email CBS Sales](#)

Your Dynamic Arm Results:

2 Flo® Single Monitor Arms

Mount Options

All Dynamic Dual Arms

Mount: Surface Clamp | **Finish:** Silver

[View in White Finish >](#)

[View in Silver Finish >](#)



[Return to Main Menu <](#)

[More Information >](#)

[Email CBS Sales >](#)